

MERRYCHEF 'LEGACY' MICROWAVES & OVENS

SERVICE PARTS LISTS 2017

Merrychef MD Range [MD1000 - MD1400 - MD1800 & MD1804]	Pages 2 to 5
Merrychef MDm1800	Pages 6 to 9
Merrychef HD & TA Series [HD1425 - HD1725 - HD1925 - HD2015 - TA1725 & TA1925]	Pages 10 to 22
Merrychef 400 Series [RD401 - EC401(EE5 - XE5 - XX5) & EC403(EE5 - XE5 - XX5)]	Pages 23 to 33
Merrychef 402s	Pages 34 to 43
Merrychef 500 Series [RD501 - EC501(CTM3 - CTM5) & EC503(CTM5)]	Pages 44 to 53
Merrychef EC504 - Tim Hortons	Pages 54 to 60

Merrychef MD Oven Range - 220/240Volts 50Hz - UK/EU

Recommended Parts List **Production Ceased - Dec 2015**

Recommended Min Stock Holding & Service List

Service Manual Exploded View	Part Number	Description	Qty Per Oven	Unit	1-10 Ovens	11-50 Ovens	51-100 Ovens	Recommended Service List
8	30M0008	DOOR CATCH BRACKET	1	EA	1	3	6	
9	30M0009	DOOR CATCH	2	EA	2	6	12	
10	30M0010	DOOR CATCH LINK ROD	1	EA	1	3	6	
13	30M0013	DOOR CATCH CRANK	1	EA	1	3	6	
14	30M0014	UPPER / LOWER HINGE	2	EA	2	6	12	
15	30M0015	INNER DOOR FILM	1	EA	1	3	6	
16	P30M0016	CHOKE COVER	1	EA	1	3	6	1
17	30M0017	CONTROL PANEL COVER	1	EA	1	3	6	
18	40M1049	MD SERIES MEMBRANE PANEL (BLUE)		EA	1	3	6	
19	30M0019	DISPLAY SCREEN	1	EA	1	3	6	
20 + 18	P11M0384	MEMBRANE ASSEMBLY - BLUE	1	EA	1	3	6	
21	P11M0326	MC/MD SERIES LOGIC PCB ASSY	1	EA	1	3	6	1
22	30M0022	HOUSING SUPPORT BRACKET	1	EA	1	3	6	
23	P11M0327	MC/MD SERIES RELAY PCB ASSY	1	EA	1	3	6	1
24	31Z0587	RIBBON CONNECTOR 10 WAY	1	EA	1	3	6	
27	P30M0027	MICA PLATE AND STIRRER	1	EA	1	3	6	1
30	30M0030	TOP TRIM	1	EA	1	3	6	
31	30M0031	AIR INLET FILTER	1	EA	1	3	6	1
36	30M0036	MD1800 CAVITY ASSY	1	EA	1	3	6	
37	30M0037	LAMP COVER FILM	1	EA	1	3	6	
38	30M0038	LAMP	1	EA	1	3	6	
39	30M0039	LAMP HOLDER	1	EA	1	3	6	
41	30M0041	AIR OUTLET DUCT	1	EA	1	3	6	
43	30M0043	THERMAL FUSE	1	EA	1	3	6	1
46	30M0046	REAR AIR GUIDE	1	EA	1	3	6	
49	30Z0235	220R 50W 5% WW	4	EA	4	12	24	
51	30M0051	MAGNETRON HI LIMIT THERMOSTAT	2	EA	2	6	12	1
61	P30M0061	MAGNETRON (NOTE-1 BELOW)	2	EA	2	6	12	1
63	30M0063	MAGNETRON AIR DUCT	1	EA	1	3	6	
64	30M0064	COOLING DUCT COVER	1	EA	1	3	6	
67	20Z1080	FUSE COVER (PVC)	2	EA	2	6	12	
74	30Z1340	MAINS FILTER 16A SCREW MOUNT	1	EA	1	3	6	
75	30Z1178	30A FUSE HOLDER	1	EA	1	3	6	
76	30Z1177	20 AMP LITTELFUSE FLM020	1	EA	1	3	6	1
78	30M0078	DIODE ASSEMBLY	2	EA	2	6	12	2
83	30M0083	HT LEAD (SHORT)	1	EA	1	3	6	
84	30M0084	HT LEAD (LONG)	1	EA	1	3	6	
Not Shown	P11M0428	SUPPRESSOR ASSY + SLICE	1	EA	1	3	6	
Not Shown	30M0092	AIR FILTER SHELL CLIP	2	EA	2	6	12	
Not Shown	30M0093	AIR FILTER OIN CLIP	2	EA	2	6	12	
Not Shown	30Z0217	FUSE 1in 10A HRC	2	EA	2	6	12	2
Not Shown	30Z0231	FUSEHOLDER 1in (13A)	2	EA	2	6	12	
Not Shown	30Z0367	FUSE 20MM 0.125A ANTI SURGE T (RELAY PCB)	1	EA	1	3	6	1
Not Shown	30Z0470	FUSE 5x20mm 1A A/S (RELAY PCB)	1	EA	1	3	6	1
Not Shown	31Z0098	SILICONE SEALANT (WHITE)	1	TUBE	1	3	6	1
Not Shown	31Z0099	SILICONE GREASE	1	TUBE	1	3	6	
Not Shown	32Z5005	LOCTITE GEL	1	TUBE	1	3	6	
Not Shown	P30M0082	BASEPLATE	1	EA	1	3	6	1

Merrychef MD Oven Range - 220/240Volts 50Hz - UK/EU

Recommended Parts List **Production Ceased - Dec 2015**

Recommended Min Stock Holding & Service List

Service Manual Exploded View	Part Number	Description	Qty Per Oven	Unit	1-10 Ovens	11-50 Ovens	51-100 Ovens	Recommended Service List
------------------------------	-------------	-------------	--------------	------	------------	-------------	--------------	--------------------------

MD1000 240Volts 50Hz UK-EU - Unique Parts

1	30M0001	OUTER HANDLE	1	EA	1	3	6	
2	30M0002	HANDLE BEARING	4	EA	4	12	24	
3	30M0003	INNER HANDLE	1	EA	1	3	6	
11	30M0011	DOOR SPRING	1	EA	1	3	6	
26	31Z0220	MAINS CABLE ASSEMBLY	1	EA	1	3	6	
33	P30M0035	TRANSFORMER	1	EA	1	3	6	
35	31Z1036	STRAIN RELIEF BUSH	1	EA	1	3	6	
48	P30M0048	COOLING FAN ASSEMBLY	1	EA	1	3	6	
59*	30M0059	1.0uF CAPACITOR (MD1000 & MD1800)	1	EA	1	3	6	1
65	30M0065	DOOR INTERLOCK HOLDER (NOTE-3 BELOW)	1	EA	1	3	6	
66a - d	30Z1486	MICROSWITCH V5S010CB 22 AMP	4	EA	4	12	24	4
68	30M0068	SPRING 1 (NOTE-3 BELOW)	3	EA	3	9	18	
69	30M0069	SPRING 2 (NOTE-3 BELOW)	1	EA	1	3	6	
70	30M0070	TOP LEVER (NOTE-3 BELOW)	1	EA	1	3	6	
71	30M0071	MIDDLE LEVER (NOTE-3 BELOW)	1	EA	1	3	6	
72	30M0072	BOTTOM LEVER (NOTE-3 BELOW)	1	EA	1	3	6	
80	P11M0334	DOOR ASSEMBLY	1	EA	1	3	6	
Not Shown	30M0094	SWITCH HOLDER ASSEMBLY	1	EA	1	3	6	

MD1400 240Volts 50Hz UK-EU - Unique Parts

1	30M0001	OUTER HANDLE	1	EA	1	3	6	
2	30M0002	HANDLE BEARING	4	EA	4	12	24	
3	30M0003	INNER HANDLE	1	EA	1	3	6	
11	30M0011	DOOR SPRING	1	EA	1	3	6	
26	31Z0220	MAINS CABLE ASSEMBLY	1	EA	1	3	6	
33	P30M0033	TRANSFORMER	2	EA	2	6	12	
35	31Z1036	STRAIN RELIEF BUSH	1	EA	1	3	6	
48	P30M0048	COOLING FAN ASSEMBLY	1	EA	1	3	6	
59*	30Z1075	0.88uF 2300V CAPACITOR (MD1400)	1	EA	1	3	6	1
59*	30Z1329	0.75uF 2500V CAPACITOR (MD1400)	1	EA	1	3	6	1
65	30M0065	DOOR INTERLOCK HOLDER (NOTE-3 BELOW)	1	EA	1	3	6	
66a - d	30Z1486	MICROSWITCH V5S010CB 22 AMP	4	EA	4	12	24	4
68	30M0068	SPRING 1 (NOTE-3 BELOW)	3	EA	3	9	18	
69	30M0069	SPRING 2 (NOTE-3 BELOW)	1	EA	1	3	6	
70	30M0070	TOP LEVER (NOTE-3 BELOW)	1	EA	1	3	6	
71	30M0071	MIDDLE LEVER (NOTE-3 BELOW)	1	EA	1	3	6	
72	30M0072	BOTTOM LEVER (NOTE-3 BELOW)	1	EA	1	3	6	
80	P11M0334	DOOR ASSEMBLY	1	EA	1	3	6	
Not Shown	30M0094	SWITCH HOLDER ASSEMBLY	1	EA	1	3	6	

MD1800 240Volts 50Hz UK-EU - Unique Parts

1	30M0001	OUTER HANDLE	1	EA	1	3	6	
2	30M0002	HANDLE BEARING	4	EA	4	12	24	
3	30M0003	INNER HANDLE	1	EA	1	3	6	
11	30M0011	DOOR SPRING	1	EA	1	3	6	
26	31Z0220	MAINS CABLE ASSEMBLY	1	EA	1	3	6	
33	P30M0033	TRANSFORMER	2	EA	2	6	12	
35	31Z1036	STRAIN RELIEF BUSH	1	EA	1	3	6	
48	P30M0048	COOLING FAN ASSEMBLY	1	EA	1	3	6	
59*	30M0059	1.0uF CAPACITOR (MD1000 & MD1800)	1	EA	1	3	6	1
59*	30Z1333	1.1uF CAPACITOR (MD1800)	1	EA	1	3	6	1
65	30M0065	DOOR INTERLOCK HOLDER (NOTE-3 BELOW)	1	EA	1	3	6	
66a - d	30Z1486	MICROSWITCH V5S010CB 22 AMP	4	EA	4	12	24	4
68	30M0068	SPRING 1 (NOTE-3 BELOW)	3	EA	3	9	18	
69	30M0069	SPRING 2 (NOTE-3 BELOW)	1	EA	1	3	6	
70	30M0070	TOP LEVER (NOTE-3 BELOW)	1	EA	1	3	6	
71	30M0071	MIDDLE LEVER (NOTE-3 BELOW)	1	EA	1	3	6	
72	30M0072	BOTTOM LEVER (NOTE-3 BELOW)	1	EA	1	3	6	
80	P11M0334	DOOR ASSEMBLY	1	EA	1	3	6	
Not Shown	30M0094	SWITCH HOLDER ASSEMBLY	1	EA	1	3	6	

Merrychef MD Oven Range - 220/240Volts 50Hz - UK/EU

Recommended Parts List **Production Ceased - Dec 2015**

Recommended Min Stock Holding & Service List

Service Manual Exploded View	Part Number	Description	Qty Per Oven	Unit	1-10 Ovens	11-50 Ovens	51-100 Ovens	Recommended Service List
------------------------------	-------------	-------------	--------------	------	------------	-------------	--------------	--------------------------

MD1804 240Volts 50Hz UK - Unique Parts - January 2007

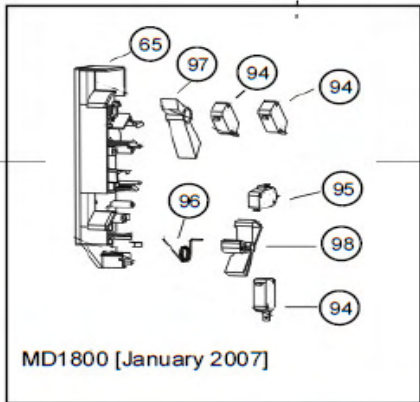
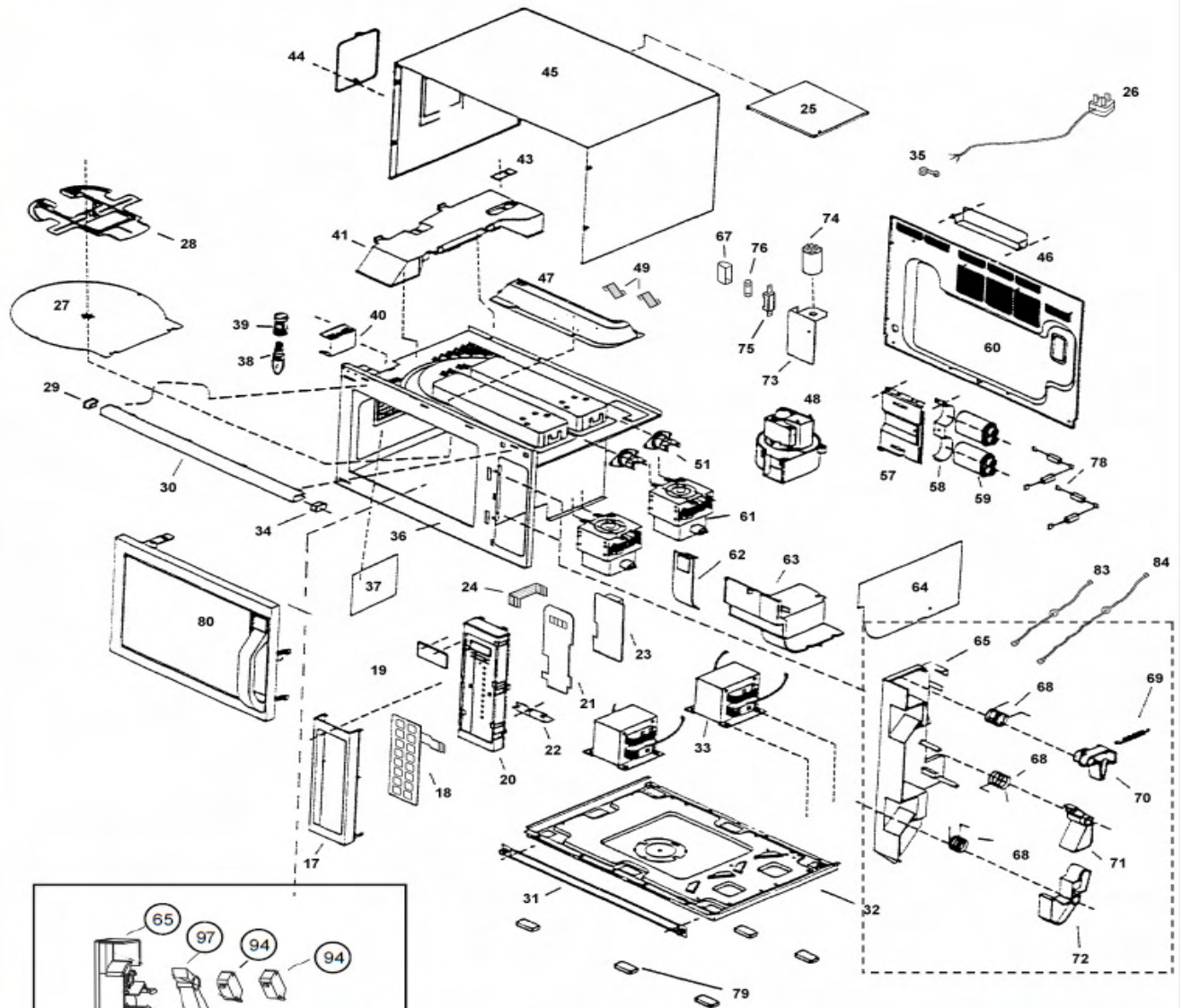
1	30M4002	1804 OUTER HANDLE	1	EA	1	3	6	
3	30M4003	1804 INNER HANDLE	1	EA	1	3	6	
9	30M4009	1804 DOOR LATCH	2	EA	2	6	12	
26	31Z0220	MAINS CABLE ASSEMBLY (NOTE-2 BELOW)	1	EA	1	3	6	
26	31Z0604	PLUG+LEAD 2M RUBBER UK	1	EA	1	3	6	
33	P30M0033	TRANSFORMER	2	EA	2	6	12	
35	31Z1036	STRAIN RELIEF BUSH (NOTE-2 BELOW)	1	EA	1	3	6	
35	31Z1070	CABLE GLAND POZ16	1	EA	1	3	6	
35	31Z1082	CABLE GLAND NUT GM16	1	EA	1	3	6	
48	P30M0048	COOLING FAN ASSEMBLY	1	EA	1	3	6	
59*	30Z1333	1.1uF CAPACITOR (MD1800)	1	EA	1	3	6	1
59*	30M0059	1.0uF CAPACITOR (MD1000 & MD1800)	1	EA	1	3	6	1
65a	30M4065	1804 SWITCH HOLDER (INTERLOCK)	1	EA	1	3	6	
80	P11M4334	1804 DOOR ASSEMBLY	1	EA	1	3	6	
94	30M4073	1804 MICROSWITCH	3	EA	3	9	18	3
95	30M4074	MICROSWITCH 1804 MODEL	1	EA	1	3	6	1
96	30M4011	1804 DOOR SPRING	1	EA	1	3	6	
96	30M4066	1804 SPRING	1	EA	1	3	6	
97	30M4071	1804 UP LEVER	1	EA	1	3	6	
98	30M4072	1804 LOWER LEVER	1	EA	1	3	6	

MD1804 220Volts 60Hz MARINE Spec - Unique Parts - January 2007

1	30M4002	1804 OUTER HANDLE	1	EA	1	3	6	
3	30M4003	1804 INNER HANDLE	1	EA	1	3	6	
9	30M4009	1804 DOOR LATCH	2	EA	2	6	12	
26	31Z0220	MAINS CABLE ASSEMBLY (NOTE-2 BELOW)	1	EA	1	3	6	
26	31Z0604	PLUG+LEAD 2M RUBBER UK	1	EA	1	3	6	
33	P30M0104	TRANSFORMER 60Hz	2	EA	2	6	12	
35	31Z1036	STRAIN RELIEF BUSH (NOTE-2 BELOW)	1	EA	1	3	6	
35	31Z1070	CABLE GLAND POZ16	1	EA	1	3	6	
35	31Z1082	CABLE GLAND NUT GM16	1	EA	1	3	6	
48	30M0106	COOLING FAN ASSEMBLY 60Hz	1	EA	1	3	6	
59*	30Z1075	0.88uF 2300V CAPACITOR	2	EA	2	6	12	2
65a	30M4065	1804 SWITCH HOLDER (INTERLOCK)	1	EA	1	3	6	
80	P11M4334	1804 DOOR ASSEMBLY	1	EA	1	3	6	
94	30M4073	1804 MICROSWITCH	3	EA	3	9	18	3
95	30M4074	MICROSWITCH 1804 MODEL	1	EA	1	3	6	1
96	30M4011	1804 DOOR SPRING	1	EA	1	3	6	
96	30M4066	1804 SPRING	1	EA	1	3	6	
97	30M4071	1804 UP LEVER	1	EA	1	3	6	
98	30M4072	1804 LOWER LEVER	1	EA	1	3	6	

NOTES: **NOTE-1** MD1000 Models are fitted with only x1 P30M0061- Magnetron
NOTE-2 From September 2009 Mains Cable Assembly & Strain Relief changed from 31Z0220 & 31Z1036
NOTE-3 Parts are available as an Assembly - 30M0094

Exploded view :



Door interlock details for Models before January 2007, MD1000, MD1400 & MD1800 See APPENDIX 2

Note: Models MD0750 & MD1000 have one Magnetron Assembly only (Parts 51 & 61)

	Model	Part
59	MD0750 (Tesco)	HV Capacitor 0.74µF 30M0098 HV Capacitor 1.0µF 30M0059
51 61	MD0750 (Tesco) MD1000	1 Magnetron only

Merrychef MDm1800 Oven - 220/240Volts 50Hz - UK/EU

Recommended Parts List

Recommended Min Stock Holding & Service List

Service Exploded View	Part Number	Description	Qty Per Oven	Unit	1-10 Ovens	11-50 Ovens	51-100 Ovens	Recommended Service List
1	18M0001	CAUTION LABEL	1	EA	1	3	6	
2	18M0070	SHELF (OVEN BASE PLATE)	1	EA	1	3	6	1
3	18M0002	WARRANTY LABEL MERRYCHEF	1	EA	1	3	6	
4	18M0071	CUSHION RUBBER A	1	EA	1	3	6	
5 & 7	18M0069	CUSHION RUBBER C	9	EA	9	27	54	
6	18M0067	CUSHION RUBBER C	10	EA	10	30	60	
8	18M0068	CUSHION RUBBER C	1	EA	1	3	6	
9	18M0073	CUSHION RUBBER D	1	EA	1	3	6	
10	18M0072	CUSHION RUBBER D	1	EA	1	3	6	
11	18M0009	BASE	1	EA	1	3	6	
12	18M0010	BACK PANEL	1	EA	1	3	6	
13	18M0006	FOOT	4	EA	4	12	24	
14	18M0007	FOOT RUBBER	4	EA	4	12	24	
15	18M0008	CABINET BODY	1	EA	1	3	6	
16	18M0074	ANTENNA MTR COVER LOWER	1	EA	1	3	6	
17	18M0075	CUSHION RUBBER	1	EA	1	3	6	
18	18M0011	CUSHION RUBBER B	2	EA	2	6	12	
19	18M0077	BASE BRACKET	1	EA	1	3	6	
20	18M0078	SPACER	1	EA	1	3	6	
21	18M0012	OVEN U CAVITY	1	EA	1	3	6	
22	18M0013	CEILING PLATE ROOF	1	EA	1	3	6	1
23	18M0014	ANTENNA UPPER	1	EA	1	3	6	1
24	18M0015	ANTENNA LOWER	1	EA	1	3	6	1
25	18M0085	SPACER	1	EA	1	3	6	
26	18M0021	DOOR HOOK	1	EA	1	3	6	
27	18M0023	M/SWITCH LEVER A	1	EA	1	3	6	
28	18M0025	M/SWITCH LEVER C	1	EA	1	3	6	
29	18M0024	M/SWITCH LEVER B	1	EA	1	3	6	
31	18M0087	SPRING INTERLOCK	1	EA	1	3	6	
32	18M0028	FAN MOTOR	2	EA	2	6	12	
33	18M0029	AIR FILTER FRAME	1	EA	1	3	6	1
34	18M0030	EXHAUST GUIDE	1	EA	1	3	6	
35	18M0089	AIR GUIDE A UPPER	1	EA	1	3	6	
36	18M0090	AIR GUIDE B LOWER	1	EA	1	3	6	
38	18M0032	EXHAUST GUIDE B	1	EA	1	3	6	
39	18M0091	MAGNETRON BRACKET	2	EA	2	6	12	
40	18M0034	PC BOARD - CONTROL	1	EA	1	3	6	1
41	18M0092	OVEN LAMP SHEET	2	EA	2	6	12	1
42	18M0044	THERMAL CUTOFF MAGNETRON	2	EA	2	6	12	1
43	18M0093	INSULATION SHEET A	1	EA	1	3	6	
44	18M0039	INSULATION SHEET - BODY	1	EA	1	3	6	
45	18M0052	HV CAPACITOR	2	EA	2	6	12	1
46	18M0094	MICROSWITCH PRIMARY	1	EA	1	3	6	1
47	18M0095	MICROSWITCH SECONDARY	2	EA	2	6	12	2
48	18M0042	ANTENNA MTR - LOWER	1	EA	1	3	6	
49	18M0041	ANTENNA MTR - TOP	1	EA	1	3	6	
50	18M0043	THERMAL CUTOFF CAVITY	1	EA	1	3	6	1
51	18M0096	MICROSWITCH SHORT	2	EA	2	6	12	2
52	18M0097	CAPACITOR BRACKET	2	EA	2	6	12	
53	18M0046	STACK DIODE 350MA - CAP	2	EA	2	6	12	2
54	18M0038	PROTECTOR DIODE SI - CAP	2	EA	2	6	12	2
55	18M0047	HV TRANSFORMER	2	EA	2	6	12	
56	18M0098	FUSE BOX BRACKET	1	EA	1	3	6	
57	18M0048	FUSE 10A	2	EA	2	6	12	1
58	18M0049	SPACER	1	EA	1	3	6	
59	18M0099	SCREW WASHER	1	EA	1	3	6	
60	18M0036	PC BOARD D - POWER	1	EA	1	3	6	1
62	18M0100	SPACER A	1	EA	1	3	6	
63	18M0054	CONTROL PCB HOLDER	1	EA	1	3	6	
64	18M0040	PC BOARD RELAY	1	EA	1	3	6	1
65	18M0056	FUSE 2.5A	1	EA	1	3	6	1
66	18M0065	POWER CORD W/PLUG	1	EA	1	3	6	
67	18M0102	CORD BUSHING	1	EA	1	3	6	
68	18M0066	CORD BRACKET	1	EA	1	3	6	
69	18M0103	CLIP AIR FILTER LH (SMALL)	1	EA	1	3	6	
70	18M0104	BRACKET	1	EA	1	3	6	
71	18M0105	CLIP B MAG A/GUIDE A	1	EA	1	3	6	
72	18M0106	CLIP ANTENNA LOWER/UPPER	4	EA	4	12	24	

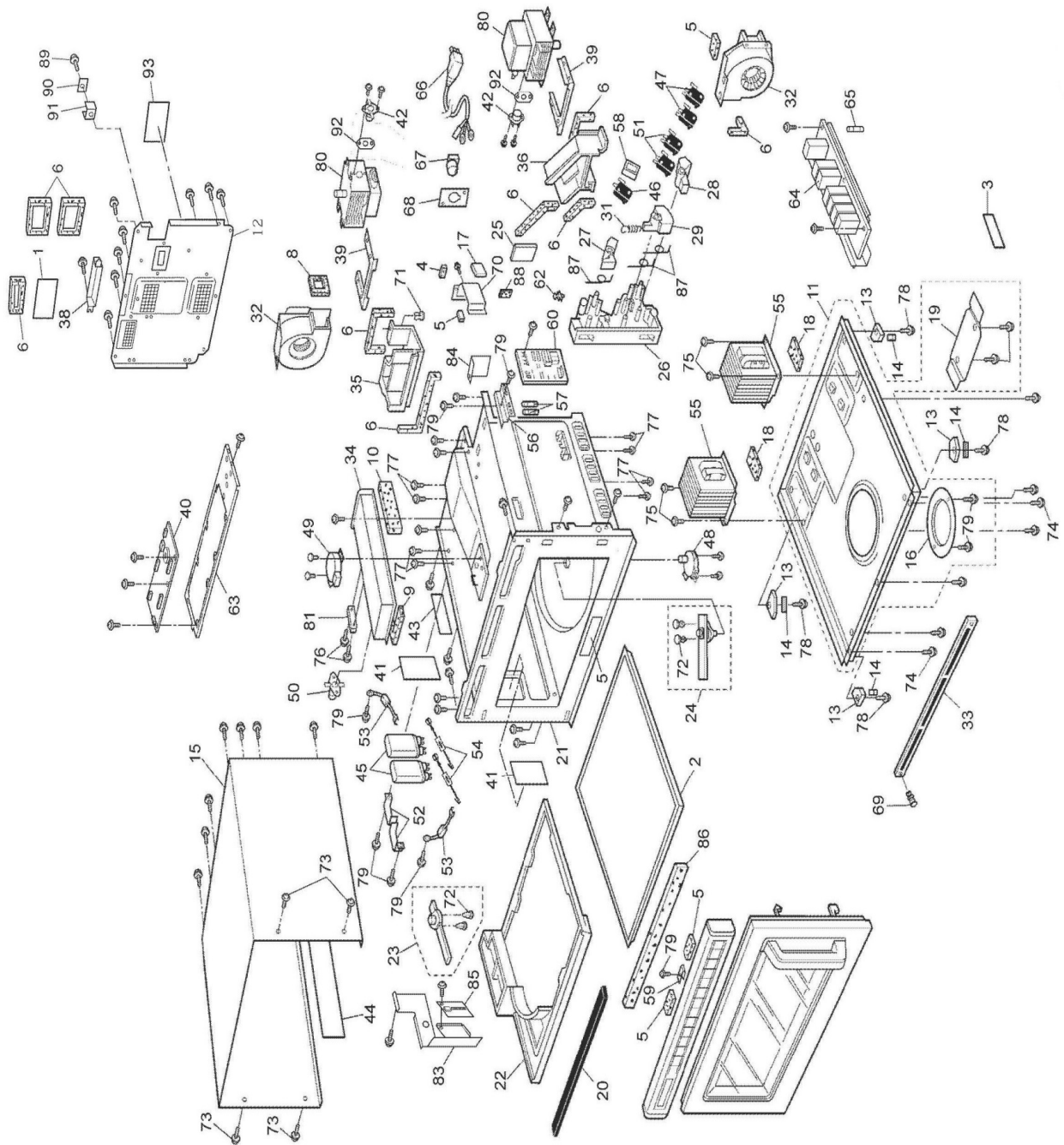
Merrychef MDm1800 Oven - 220/240Volts 50Hz - UK/EU

Recommended Parts List

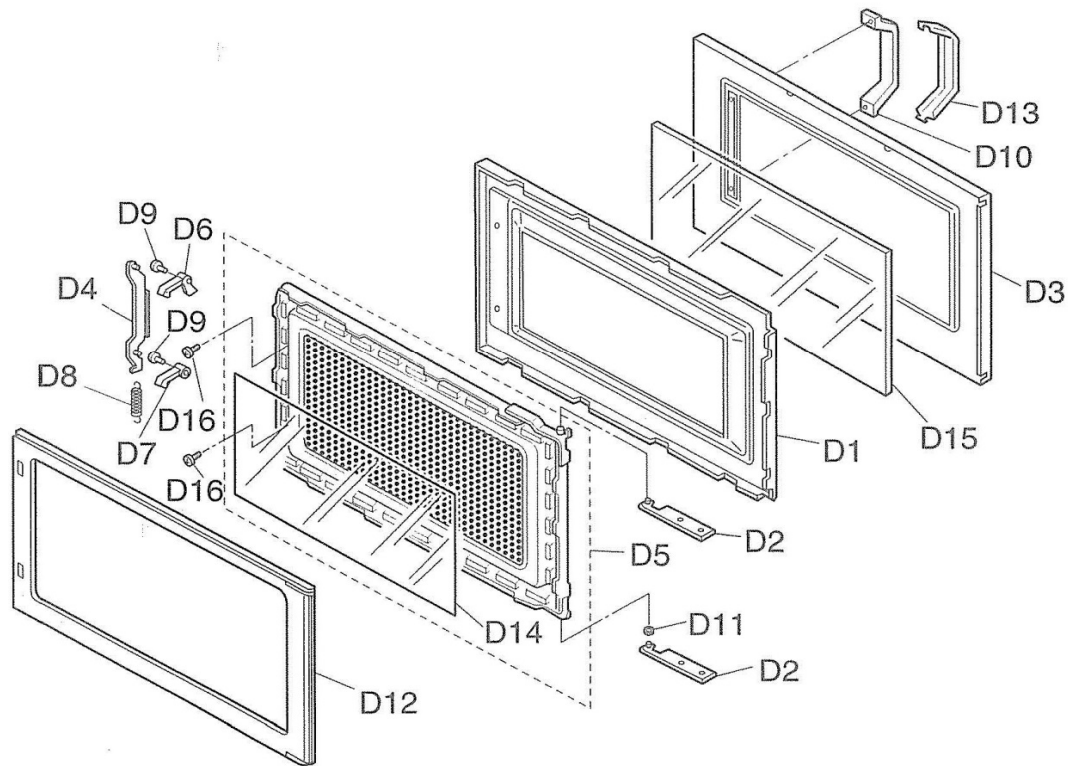
Recommended Min Stock Holding & Service List

Service Exploded View	Part Number	Description	Qty Per Oven	Unit	1-10 Ovens	11-50 Ovens	51-100 Ovens	Recommended Service List
73	18M0107	SCREW 4X10 CABINET BODY	4	EA	4	12	24	
74	18M0109	SCREW 4X12 BASE	2	EA	2	6	12	
75	18M0108	SCREW 5X10 HV TRANS	4	EA	4	12	24	
76	18M0111	SCREW 3X8 TEMP SENSOR	2	EA	2	6	12	
77	18M0116	SCREW 5X16 MAGNETRON	8	EA	8	24	48	
78	18M0110	SCREW 3X8 FOOT	4	EA	4	12	24	
79	18M0113	SCREW 4X12 GENERAL	11	EA	11	33	66	
80	18M0117	MAGNETRON	2	EA	2	6	12	1
81	18M0033	TEMP SENSOR WAVEGUIDE	1	EA	1	3	6	1
83	18M0057	LAMP BRACKET	1	EA	1	3	6	
84	18M0045	INSULATION SHEET D	1	EA	1	3	6	
85	18M0037	PCB H - LAMP	1	EA	1	3	6	1
86	18M0064	SPACER	1	EA	1	3	6	
87	18M0088	SPRING INTERLOCK	3	EA	3	9	18	
88	18M0076	CUSHION RUBBER A/GUIDE B	1	EA	1	3	6	
89	18M0114	SCREW B/PANEL COVER	1	EA	1	3	6	
90	18M0112	WASHER EARTH	1	EA	1	3	6	
91	18M0058	BRACKET EARTH	1	EA	1	3	6	
92	18M0050	SPACER	2	EA	2	6	12	
D1	18M0079	DOOR WINDOW FRAME	1	EA	1	3	6	
D2	18M0080	DOOR HINGE	2	EA	2	6	12	
D3	18M0018	DOOR A OUTER SKIN	1	EA	1	3	6	
D4	18M0019	DOOR KEY LEVER B	1	EA	1	3	6	
D5	18M0020	DOOR BODY E (U)	1	EA	1	3	6	
D6	18M0016	DOOR LATCH HOOK	1	EA	1	3	6	
D7	18M0017	DOOR LATCH HOOK B	1	EA	1	3	6	
D8	18M0081	DOOR KEY SPRING	1	EA	1	3	6	
D9	18M0082	HANDLE PIN	2	EA	2	6	12	
D10	18M0022	HANDLE INNER	1	EA	1	3	6	
D11	18M0083	DOOR HINGE SPACER A	1	EA	1	3	6	
D12	18M0084	DOOR CHOKE	1	EA	1	3	6	
D13	18M0086	HANDLE OUTER	1	EA	1	3	6	
D14	18M0026	DOOR SCREEN A FILM	1	EA	1	3	6	1
D15	18M0027	DOOR SCREEN B MERRYCHEF	1	EA	1	3	6	
D16	18M0115	SCREW 4X16 DOOR HANDLE	2	EA	2	6	12	
E1	18M0063	ESCUTCHEON SPACER	1	EA	1	3	6	
E2	18M0035	PC BOARD - DISPLAY	1	EA	1	3	6	1
E3	18M0051	MEMBRANE SWITCH - M/CHEF	1	EA	1	3	6	
E4	18M0055	FLAT CABLE	1	EA	1	3	6	
E5	18M0062	ESCUTCHEON MEMBRANE ASSY	1	EA	1	3	6	
E6	18M0060	ESCUTCHEON B - LH	1	EA	1	3	6	
E7	18M0061	ESCUTCHEON D - RH	1	EA	1	3	6	
E8	18M0101	ESCUTCHEON A - PANEL CVR	1	EA	1	3	6	
P1	18M1000	INSTRUCTION BOOK	1	EA	1	3	6	
P8	18M1001	OPERATING GUIDE	1	EA	1	3	6	
W1	18M0003	LEAD WIRE HARNESS	1	EA	1	3	6	
W2	18M0005	FERRITE CORE	2	EA	2	6	12	
W5	18M0004	LEAD WIRE	1	EA	1	3	6	

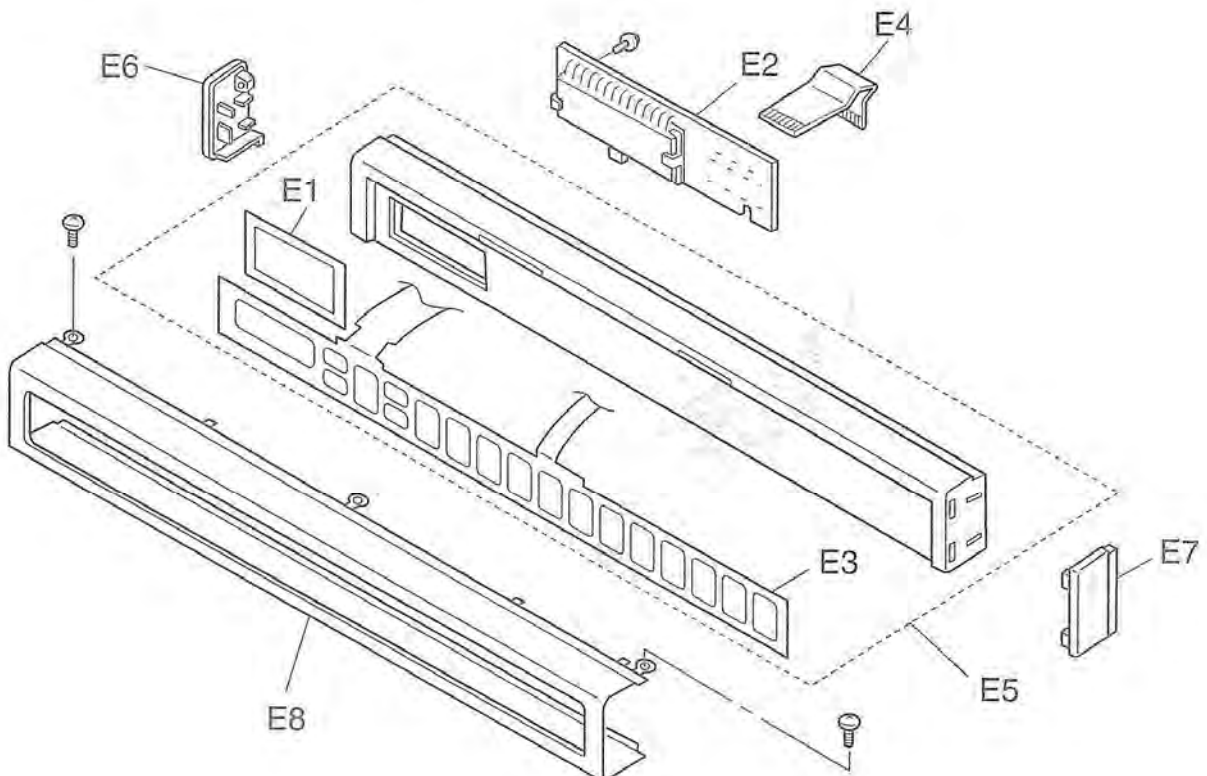
NOTE-1



DOOR ASSEMBLY



ESCUTCHEON BASE ASSEMBLY



Merrychef HD Oven Range - All Models

Recommended Parts List

Recommended Min Stock Holding & Service List

Service Manual Exploded View	Part Number	Description	Qty Per Oven	Unit	1-10 Ovens	11-50 Ovens	51-100 Ovens	Recommended Service List
3	31Z1104	AIR FILTER	1	EA	1	3	6	1
24	32Z5005	LOCTITE GEL		TUBE	1	3	6	
41	31Z0586	DC VOLTAGE CONNECTOR 10 WAY	1	EA	1	3	6	
42	P11M0333	FILTERED WIRE ASSY	1	EA	1	3	6	
46	40M0366	DOOR CAP - MK2	2	EA	2	4	8	
47	30Z0503	ON/OFF SWITCH	1	EA	2	6	12	1
51	31Z7010	STAND-OFF - PCB	4	EA	4	8	16	
59	31Z0167	PROTECTIVE BOOT	2	EA	2	6	12	
62	30Z0257	THERMAL TRIP (MAGNETRON)	2	EA	1	3	6	1
66	31Z0126	DELTA FILTER	1	EA	1	3	6	
68a	30Z0231	FUSE HOLDER 1IN (13A)	2	EA	1	3	6	
69	30Z1011	THERMAL TRIP (OVEN)	2	EA	1	1	2	2
70	11M0473	470R 50W RESISTOR ASSY (NOTE-2 BELOW)	2	EA	2	6	12	
70	11M0474	470R 75W RESISTOR ASSY (NOTE-2 BELOW)	2	EA	2	6	12	
73	30Z1340	FILTER 16A SCREW MOUNT	1	EA	1	3	6	
78	31Z0098	SILICONE SEALANT (WHITE)		TUBE	1	6	12	1
80	P11M0140	STIRRER BLADE ASSEMBLY	2	EA	1	3	6	2
81	P40M0832	SEAL - BOX LAUNCH	2	EA	2	6	12	
85	20Z0310	DOOR GUIDE MOULDING L/H	1	EA	1	3	6	
86	20Z0309	DOOR GUIDE MOULDING R/H	1	EA	1	3	6	
95	30Z1459	MICROSWITCH (STRAIGHT ARM)	2	EA	1	3	6	2
96	30Z0356	MICROSWITCH (MONITOR)	1	EA	2	6	12	1
103	20Z0039	EXTRUSION - DOOR RUNNER	4	EA	2	6	12	
Not Shown	30Z1177	20 AMP LITTLEFUSE FLM020	1	EA	4	8	16	1
Not Shown	30Z1178	30A FUSE HOLDER	1	EA	1	3	6	
Not Shown	31Z0099	SILICONE GREASE		TUBE	1	1	2	
Not Shown	31Z1305	CABLE CLAMP	1	EA	1	3	6	
Not Shown	P11M0267	OVEN BASE ASSY - LH	1	EA	1	3	6	
Not Shown	P11M0268	OVEN BASE ASSY - RH	1	EA	1	3	6	

HD1025 240Volts 50Hz - Unique Parts - Production Ceased - Dec 2012

1	P11M0269	REAR COVER ASSY (500)	1	EA	1	3	6	
8	P11M0392	DIECAST DOOR ASSY - BLUE	1	EA	1	6	12	
9	P40M1053	DOOR SCREEN (BLUE)	1	EA	1	2	3	
18	P40M0931	CHOKE FILLER	1	EA	1	2	3	
22	P40M0927	DOOR SEAL - 500MM HORIZONTAL	2	EA	1	1	2	
23	P40M0926	DOOR SEAL - 500MM VERTICAL	2	EA	1	1	2	
38	P11M0387	MEMBRANE ASSY BLUE - MICROCOOK	1	EA	2	6	12	
39	P11M0107	PCB ASSEMBLY - UNIVERSAL LOGIC	1	EA	2	6	12	1
49	P11M0285	RELAY PCB MICROCOOK CD (KFC)	1	EA	2	6	12	1
52	11M0432	SPRING KIT 6 LEAF	1	EA	2	6	12	1
53	P30Z1233	50HZ TRANS MULTI 208 220 240	1	EA	1	3	6	
58	30Z1333	1.1uF 2500V CAPACITOR	1	EA	2	6	12	1
61	30Z0921	MAG COOLING FAN (HD1025)	1	EA	1	3	6	
63	P30Z1349	MAGNETRON 2M248H-B	1	EA	2	6	12	1
65	P11M0417	HT DIODE ASSY (EARTH+HT LEAD)	1	EA	2	6	12	1
68b	30Z0456	FUSE 1IN 13A HRC	1	EA	4	8	16	1
75	P11M0262	LAMP ASSEMBLY	1	EA	1	2	3	
76	30Z1239	BULB PEARL ES E27 230V 100W GL	1	EA	1	3	6	
77	P20Z1355	CERAMIC BASE (BASE PLATE)	1	EA	1	3	6	1
79	40M0563	ROOF	1	EA	1	2	4	1
82	40M0508	TUNING STUB	2	EA	1	2	4	
Not Shown	11M0458	MAINS CABLE ASSY EUROPE	1	EA	1	2	4	
Not Shown	31Z0220	MOULDED PLUG & CABLE (NOTE-1 BELOW)	1	EA	1	3	6	
Not Shown	31Z0639	1025 HV LOOM KIT		EA	1	2	4	
Not Shown	31Z1036	STRAIN RELIEF BUSHIN (NOTE-1 BELOW)	1	EA	1	3	6	
Not Shown	P11M0339	MAINS CABLE ASSY - MICROCOOK	1	EA	1	3	6	

Merrychef HD Oven Range - All Models

Recommended Parts List

Recommended Min Stock Holding & Service List

Service Manual Exploded View	Part Number	Description	Qty Per Oven	Unit	1-10 Ovens	11-50 Ovens	51-100 Ovens	Recommended Service List
HD1425 240Volts 50Hz - Unique Parts - Production Ceased - Dec 2012								
1	P11M0269	REAR COVER ASSY (500)	1	EA	1	3	6	
8	P11M0392	DIECAST DOOR ASSY - BLUE	1	EA	1	6	12	
9	P40M1053	DOOR SCREEN (BLUE)	1	EA	1	2	3	
18	P40M0931	CHOKE FILLER	1	EA	1	2	3	
22	P40M0927	DOOR SEAL - 500MM HORIZONTAL	2	EA	1	1	2	
23	P40M0926	DOOR SEAL - 500MM VERTICAL	2	EA	1	1	2	
38	P11M0387	MEMBRANE ASSY BLUE - MICROCOOK	1	EA	2	6	12	
39	P11M0107	PCB ASSEMBLY - UNIVERSAL LOGIC	1	EA	2	6	12	1
49	P11M0427	RELAY BOARD SUB-ASSEMBLY	1	EA	2	6	12	1
52	11M0432	SPRING KIT 6 LEAF	1	EA	2	6	12	1
53	P30Z1233	50HZ TRANS MULTI 208 220 240	2	EA	1	3	6	
57	30Z1329	0.75uF 2500V CAPACITOR RH (HD1425)	1	EA	2	6	12	1
58	30Z1075	0.88uF 2300V CAPACITOR LH (HD1425)	1	EA	2	6	12	1
61	P30Z1449	MAG COOLING FAN	1	EA	1	3	6	
63	P30Z1349	MAGNETRON 2M248H-B	2	EA	2	6	12	1
65	P11H0010	HT DIODE ASSEMBLY	2	EA	2	6	12	1
68b	30Z0394	FUSE 1IN 7A HRC	2	EA	4	8	16	2
71	30Z0941	AXIAL FAN	1	EA	1	1	2	
75	P11M0262	LAMP ASSEMBLY	1	EA	1	2	3	
76	30Z1239	BULB PEARL ES E27 230V 100W GL	1	EA	1	3	6	
77	P20Z1355	CERAMIC BASE (BASE PLATE)	1	EA	1	3	6	1
79	40M0563	ROOF	1	EA	1	2	4	1
82	40M0508	TUNING STUB	2	EA	1	2	4	
89	30Z0284	SOLENOID - 240V LH ASSEMBLY	1	EA	1	3	6	
90	30Z0010	SOLENOID - 240V RH ASSEMBLY	1	EA	1	3	6	
91	20Z0710	SOLENOID CORK WASHER	4	EA	2	6	12	
92	20Z0970	PLUNGER	2	EA	2	6	12	
Not Shown	11M0458	MAINS CABLE ASSY EUROPE	1	EA	2	6	12	
Not Shown	31Z0220	MOULDED PLUG & CABLE (NOTE-1 BELOW)	1	EA	1	3	6	
Not Shown	31Z0640	1425/1725 HV LOOM KIT		EA	1	2	4	
Not Shown	31Z1036	STRAIN RELIEF BUSHIN (NOTE-1 BELOW)	1	EA	1	3	6	
Not Shown	31Z1250	MAINS ON/OFF SWITCH COVER	1	EA	1	3	6	
Not Shown	31Z1251	MAINS ON/OFF SWITCH BEZEL	1	EA	1	3	6	
Not Shown	P11M0339	MAINS CABLE ASSY - MICROCOOK	1	EA	1	3	6	
Not Shown	P11M0426	22R GOLD RESISTOR ASSY	2	EA	1	3	6	

HD1725 240Volts 50Hz - Unique Parts

1	P11M0269	REAR COVER ASSY (500)	1	EA	1	3	6	
8	P11M0392	DIECAST DOOR ASSY - BLUE	1	EA	1	6	12	
9	P40M1053	DOOR SCREEN (BLUE)	1	EA	1	2	3	
18	P40M0931	CHOKE FILLER	1	EA	1	2	3	
22	P40M0927	DOOR SEAL - 500MM HORIZONTAL	2	EA	1	1	2	
23	P40M0926	DOOR SEAL - 500MM VERTICAL	2	EA	1	1	2	
38	P11M0387	MEMBRANE ASSY BLUE - MICROCOOK	1	EA	2	6	12	
39	P11M0107	PCB ASSEMBLY - UNIVERSAL LOGIC	1	EA	2	6	12	1
49	P11M0427	RELAY BOARD SUB-ASSEMBLY	1	EA	2	6	12	1
52	11M0432	SPRING KIT 6 LEAF	1	EA	2	6	12	1
53	P30Z1233	50HZ TRANS MULTI 208 220 240	2	EA	1	3	6	
57 - 58	30Z1331	1.0uF 2500V CAPACITOR (HD1725)	2	EA	2	6	12	2
61	P30Z1449	MAG COOLING FAN	1	EA	1	3	6	
63	P30Z1349	MAGNETRON 2M248H-B	2	EA	2	6	12	1
65	P11H0010	HT DIODE ASSEMBLY	2	EA	2	6	12	1
68b	30Z0217	FUSE 1IN 10A HRC	2	EA	4	8	16	2
71	30Z0941	AXIAL FAN	1	EA	1	1	2	
75	P11M0262	LAMP ASSEMBLY	1	EA	1	2	3	
76	30Z1239	BULB PEARL ES E27 230V 100W GL	1	EA	1	3	6	
77	P20Z1355	CERAMIC BASE (BASE PLATE)	1	EA	1	3	6	1
79	40M0563	ROOF	1	EA	1	2	4	1
82	40M0508	TUNING STUB	2	EA	1	2	4	
89	30Z0284	SOLENOID - 240V LH ASSEMBLY	1	EA	1	3	6	
90	30Z0010	SOLENOID - 240V RH ASSEMBLY	1	EA	1	3	6	
91	20Z0710	SOLENOID CORK WASHER	4	EA	2	6	12	
92	20Z0970	PLUNGER	2	EA	2	6	12	
Not Shown	11M0457	3M MAINS CABLE ASSY (JDW MDL ONLY)	1	EA	2	6	12	
Not Shown	11M0458	MAINS CABLE ASSY EUROPE	1	EA	2	6	12	
Not Shown	31Z0220	MOULDED PLUG & CABLE (NOTE-1 BELOW)	1	EA	1	3	6	
Not Shown	31Z0640	1425/1725 HV LOOM KIT		EA	1	2	4	
Not Shown	31Z1036	STRAIN RELIEF BUSHIN (NOTE-1 BELOW)	1	EA	1	3	6	
Not Shown	31Z1250	MAINS ON/OFF SWITCH COVER	1	EA	1	3	6	
Not Shown	31Z1251	MAINS ON/OFF SWITCH BEZEL	1	EA	1	3	6	
Not Shown	P11M0339	MAINS CABLE ASSY - MICROCOOK	1	EA	1	3	6	
Not Shown	P11M0426	22R GOLD RESISTOR ASSY	2	EA	1	3	6	

Merrychef HD Oven Range - All Models

Recommended Parts List

Recommended Min Stock Holding & Service List

Service Manual Exploded View	Part Number	Description	Qty Per Oven	Unit	1-10 Ovens	11-50 Ovens	51-100 Ovens	Recommended Service List
------------------------------	-------------	-------------	--------------	------	------------	-------------	--------------	--------------------------

HD1725 Tuboaire 240Volts 50Hz - Unique Parts - Production Ceased - July 2008

1	P11M0269	REAR COVER ASSY (500)	1	EA	1	3	6	
8	P11M0393	DIECAST DOOR ASSY (KFC)	1	EA	1	6	12	
9	P40M1053	DOOR SCREEN (BLUE)	1	EA	1	2	3	
18	P40M0931	CHOKE FILLER	1	EA	1	2	3	
22	P40M0927	DOOR SEAL - 500MM HORIZONTAL	2	EA	1	1	2	
23	P40M0926	DOOR SEAL - 500MM VERTICAL	2	EA	1	1	2	
38	P11M0386	MEMBRANE ASSY BLUE - TURBOAIRE	1	EA	2	6	12	
49	P11M0430	RELAY PCB ASSEMBLY - TURBOAIRE	1	EA	2	6	12	1
50	P11M0261	FAN CONTROL PCB - TURBOAIRE	1	EA	3	9	18	1
52	11M0432	SPRING KIT 6 LEAF	1	EA	2	6	12	1
53	P30Z1233	50HZ TRANS MULTI 208 220 240	2	EA	1	3	6	
57 - 58	30Z1333	1.1uF 2500V CAPACITOR	2	EA	2	6	12	2
61	P30Z1449	MAG COOLING FAN	1	EA	1	3	6	
63	P30Z1349	MAGNETRON 2M248H-B	2	EA	2	6	12	1
65	P11M0417	HT DIODE ASSY (EARTH+HT LEAD)	2	EA	2	6	12	1
68b	30Z0217	FUSE 1IN 10A HRC	2	EA	4	8	16	2
71	30Z0941	AXIAL FAN	1	EA	1	1	2	
76	30Z0901	LAMP - 5W FLOURSCENT - TURBOAIRE	1	EA	1	3	6	
77	P20Z1355	CERAMIC BASE (BASE PLATE)	1	EA	1	3	6	1
79	40M0877	ROOF - TURBOAIRE	1	EA	1	1	1	1
82	40M0508	TUNING STUB	2	EA	1	2	4	
83	P11M0344	HEATER ELEMENT ASSY - TURBOAIRE	1	EA	1	3	6	
84	40M0878	COOLING SLEEVE - TURBOAIRE	1	EA	1	1	1	
89	30Z0284	SOLENOID - 240V LH ASSEMBLY	1	EA	1	3	6	
90	30Z0010	SOLENOID - 240V RH ASSEMBLY	1	EA	1	3	6	
91	20Z0710	SOLENOID CORK WASHER	4	EA	2	6	12	
92	20Z0970	PLUNGER	2	EA	2	6	12	
Not Shown	31Z0220	MOULDED PLUG & CABLE (NOTE-1 BELOW)	1	EA	1	3	6	
Not Shown	31Z1036	STRAIN RELIEF BUSHIN (NOTE-1 BELOW)	1	EA	1	3	6	

HD1925 240Volts 50Hz - Unique Parts

1	P11M0269	REAR COVER ASSY (500)	1	EA	1	3	6	
8	P11M0392	DIECAST DOOR ASSY - BLUE	1	EA	1	6	12	
9	P40M1053	DOOR SCREEN (BLUE)	1	EA	1	2	3	
18	P40M0931	CHOKE FILLER	1	EA	1	2	3	
22	P40M0927	DOOR SEAL - 500MM HORIZONTAL	2	EA	1	1	2	
23	P40M0926	DOOR SEAL - 500MM VERTICAL	2	EA	1	1	2	
38	P11M0387	MEMBRANE ASSY BLUE - MICROCOOK	1	EA	2	6	12	
39	P11M0107	PCB ASSEMBLY - UNIVERSAL LOGIC	1	EA	2	6	12	1
49	P11M0427	RELAY BOARD SUB-ASSEMBLY	1	EA	2	6	12	1
52	11M0432	SPRING KIT 6 LEAF	1	EA	2	6	12	1
53	P30Z1233	50HZ TRANS MULTI 208 220 240	2	EA	1	3	6	
57 - 58	30Z1333	1.1uF 2500V CAPACITOR	2	EA	2	6	12	2
61	P30Z1449	MAG COOLING FAN	1	EA	1	3	6	
63	P30Z1349	MAGNETRON 2M248H-B	2	EA	2	6	12	1
65	P11M0417	HT DIODE ASSY (EARTH+HT LEAD)	2	EA	2	6	12	1
68b	30Z0217	FUSE 1IN 10A HRC	2	EA	4	8	16	2
71	30Z0941	AXIAL FAN	1	EA	1	1	2	
75	P11M0262	LAMP ASSEMBLY	1	EA	1	2	3	
76	30Z1239	BULB PEARL ES E27 230V 100W GL	1	EA	1	3	6	
77	P20Z1355	CERAMIC BASE (BASE PLATE)	1	EA	1	3	6	1
79	40M0563	ROOF	1	EA	1	2	4	1
82	40M0508	TUNING STUB	2	EA	1	2	4	
89	30Z0284	SOLENOID - 240V LH ASSEMBLY	1	EA	1	3	6	
90	30Z0010	SOLENOID - 240V RH ASSEMBLY	1	EA	1	3	6	
91	20Z0710	SOLENOID CORK WASHER	4	EA	2	6	12	
92	20Z0970	PLUNGER	2	EA	2	6	12	
Not Shown	11M0457	3M MAINS CABLE ASSY (JDW MDL ONLY)	1	EA	2	6	12	
Not Shown	11M0458	MAINS CABLE ASSY EUROPE	1	EA	2	6	12	
Not Shown	11M0475	16A 2P+E MAINS LEAD ASSY (PIZZA HUT)	1	EA	2	6	12	
Not Shown	31Z0220	MOULDED PLUG & CABLE (NOTE-1 BELOW)	1	EA	1	3	6	
Not Shown	31Z0641	1925/2025 HV LOOM KIT		EA	1	2	4	
Not Shown	31Z1036	STRAIN RELIEF BUSHIN (NOTE-1 BELOW)	1	EA	1	3	6	
Not Shown	31Z1250	MAINS ON/OFF SWITCH COVER	1	EA	1	3	6	
Not Shown	31Z1251	MAINS ON/OFF SWITCH BEZEL	1	EA	1	3	6	
Not Shown	P11M0339	MAINS CABLE ASSY - MICROCOOK	1	EA	1	3	6	
Not Shown	P11M0426	22R GOLD RESISTOR ASSY	2	EA	1	3	6	

Merrychef HD Oven Range - All Models

Recommended Parts List

Recommended Min Stock Holding & Service List

Service Manual Exploded View	Part Number	Description	Qty Per Oven	Unit	1-10 Ovens	11-50 Ovens	51-100 Ovens	Recommended Service List
------------------------------	-------------	-------------	--------------	------	------------	-------------	--------------	--------------------------

HD1925 Turboaire 240Volts 50Hz - Unique Parts - Production Ceased - Feb 2008

1	P11M0269	REAR COVER ASSY (500)	1	EA	1	3	6	
8	P11M0392	DIECAST DOOR ASSY	1	EA	1	6	12	
9	P40M1053	DOOR SCREEN (BLUE)	1	EA	1	2	3	
18	P40M0931	CHOKE FILLER	1	EA	1	2	3	
22	P40M0927	DOOR SEAL - 500MM HORIZONTAL	2	EA	1	1	2	
23	P40M0926	DOOR SEAL - 500MM VERTICAL	2	EA	1	1	2	
38	P11M0386	MEMBRANE ASSY BLUE - TURBOAIRE	1	EA	2	6	12	
49	P11M0430	RELAY PCB ASSEMBLY - TURBOAIRE	1	EA	2	6	12	1
50	P11M0261	FAN CONTROL PCB - TURBOAIRE	1	EA	3	9	18	1
52	11M0432	SPRING KIT 6 LEAF	1	EA	2	6	12	1
53	P30Z1233	50HZ TRANS MULTI 208 220 240	2	EA	1	3	6	
57 - 58	30Z1333	1.1uF 2500V CAPACITOR	2	EA	2	6	12	2
61	P30Z1449	MAG COOLING FAN	1	EA	1	3	6	
63	P30Z1349	MAGNETRON 2M248H-B	2	EA	2	6	12	1
65	P11M0417	HT DIODE ASSY (EARTH+HT LEAD)	2	EA	2	6	12	1
68b	30Z0217	FUSE 1IN 10A HRC	2	EA	4	8	16	2
71	30Z0941	AXIAL FAN	1	EA	1	1	2	
76	30Z0901	LAMP - 5W FLOURSCENT - TURBOAIRE	1	EA	1	3	6	
77	P20Z1355	CERAMIC BASE (BASE PLATE)	1	EA	1	3	6	1
79	40M0877	ROOF - TURBOAIRE	1	EA	1	1	1	1
82	40M0508	TUNING STUB	2	EA	1	2	4	
83	P11M0344	HEATER ELEMENT ASSY - TURBOAIRE	1	EA	1	3	6	
84	40M0878	COOLING SLEEVE - TURBOAIRE	1	EA	1	1	1	
89	30Z0284	SOLENOID - 240V LH ASSEMBLY	1	EA	1	3	6	
90	30Z0010	SOLENOID - 240V RH ASSEMBLY	1	EA	1	3	6	
91	20Z0710	SOLENOID CORK WASHER	4	EA	2	6	12	
92	20Z0970	PLUNGER	2	EA	2	6	12	
Not Shown	31Z0220	MOULDED PLUG & CABLE (NOTE-1 BELOW)	1	EA	1	3	6	
Not Shown	31Z1036	STRAIN RELIEF BUSHIN (NOTE-1 BELOW)	1	EA	1	3	6	

HD1925 KFC 240Volts 50Hz - Unique Parts

1	P11M0269	REAR COVER ASSY (500)	1	EA	1	3	6	
8	P11M0393	DIECAST DOOR ASSY - KFC	1	EA	1	2	3	
9	P40M1053	DOOR SCREEN (BLUE)	1	EA	1	2	3	
18	P40M0931	CHOKE FILLER	1	EA	1	2	3	
22	P40M0927	DOOR SEAL - 500MM HORIZONTAL	2	EA	1	1	2	
23	P40M0926	DOOR SEAL - 500MM VERTICAL	2	EA	1	1	2	
38	P11M0394	MICROCOOK MEMBRANE ASSY (KFC)	1	EA	1	6	12	
39	P11M0416	MICROCOOK HD OPTIC LOGIC PCB - KFC	1	EA	2	6	12	1
49	P11M0285	RELAY PCB MICROCOOK CD (KFC)	1	EA	2	6	12	1
52	11M0432	SPRING KIT 6 LEAF	1	EA	2	6	12	1
53	P30Z1233	50HZ TRANS MULTI 208 220 240	2	EA	1	3	6	
57 - 58	30Z1333	1.1uF 2500V CAPACITOR	2	EA	2	6	12	2
61	P30Z1449	MAG COOLING FAN	1	EA	1	3	6	
63	P30Z1171	MAGNETRON 2M244-M12 (KFC ONLY)	2	EA	2	6	12	1
65	P11M0364	FIBRE OPTIC DIODE PCB	2	EA	2	6	12	1
68b	30Z0217	FUSE 1IN 10A HRC	2	EA	4	8	16	2
71	30Z0941	AXIAL FAN	1	EA	1	1	2	
75	P11M0262	LAMP ASSEMBLY	1	EA	1	2	3	
76	30Z1239	BULB PEARL ES E27 230V 100W GL	1	EA	1	3	6	
77	P20Z1355	CERAMIC BASE (BASE PLATE)	1	EA	1	3	6	1
79	40M0563	ROOF	1	EA	1	2	4	1
82	40M0508	TUNING STUB	2	EA	1	2	4	
105	P10C0148	MENUKEY ASSY MEALSTREAM	1	EA	1	6	12	
106	40M1062	MODIFIED TOP PANEL (KFC)	1	EA	1	2	3	
107	11H0064	MENUKEY CONNECTION LEAD	1	EA	1	3	6	
Not Shown	11M0457	3M MAINS CABLE ASSY (JDW MDL ONLY)	1	EA	2	6	12	
Not Shown	11M0458	MAINS CABLE ASSY EUROPE	1	EA	2	6	12	
Not Shown	31Z0220	MOULDED PLUG & CABLE (NOTE-1 BELOW)	1	EA	1	3	6	
Not Shown	31Z0239	FIBRE OPTIC CABLE	1	MT	1	2	4	
Not Shown	31Z0641	1925/2025 HV LOOM KIT		EA	1	2	4	
Not Shown	31Z1036	STRAIN RELIEF BUSHIN (NOTE-1 BELOW)	1	EA	1	3	6	
Not Shown	31Z1250	MAINS ON/OFF SWITCH COVER	1	EA	1	3	6	
Not Shown	31Z1251	MAINS ON/OFF SWITCH BEZEL	1	EA	1	3	6	
Not Shown	P11M0339	MAINS CABLE ASSY - MICROCOOK	1	EA	1	3	6	

Merrychef HD Oven Range - All Models

Recommended Parts List

Recommended Min Stock Holding & Service List

Service Manual Exploded View	Part Number	Description	Qty Per Oven	Unit	1-10 Ovens	11-50 Ovens	51-100 Ovens	Recommended Service List
------------------------------	-------------	-------------	--------------	------	------------	-------------	--------------	--------------------------

HD2025 240Volts 50Hz - Unique Parts

8	P11M0391	DOOR ASSEMBLY - BLUE (650 OVEN)	1	EA	1	6	12	
9	P40M1054	DOOR SCREEN (BLUE) - 650 OVEN	1	EA	1	2	3	
11	40M0801	DOORSIDE LH 650 DOOR	1	EA	1	2	4	
12	40M0802	DOORSIDE RH 650 DOOR	1	EA	1	2	4	
18	P40M0862	CHOKE FILLER HORIZONTAL (650 OVEN)	2	EA	2	6	12	
19	P40M0924	CHOKE FILLER VERTICAL (650 OVEN)	2	EA	1	3	6	
22	P40M0861	DOOR SEAL - 650MM HORIZONTAL	2	EA	1	3	6	
38	P11M0388	MEMBRANE ASSY BLUE (650 OVEN)	1	EA	2	6	12	
39	P11M0107	PCB ASSEMBLY - UNIVERSAL LOGIC	1	EA	2	6	12	1
49	P11M0427	RELAY BOARD SUB-ASSEMBLY	1	EA	2	6	12	1
52	11M0433	SPRING KIT 7 LEAF (650 OVEN)	1	EA	4	12	24	1
53	P30Z1233	50HZ TRANS MULTI 208 220 240	2	EA	1	3	6	
57 - 58	30Z1333	1.1uF 2500V CAPACITOR	2	EA	2	6	12	2
61	P30Z1449	MAG COOLING FAN	1	EA	1	3	6	
63	P30Z1349	MAGNETRON 2M248H-B	2	EA	2	6	12	1
65	P11M0417	HT DIODE ASSY (EARTH+HT LEAD)	2	EA	2	6	12	1
68b	30Z0217	FUSE 1IN 10A HRC	2	EA	4	8	16	2
71	30Z0941	AXIAL FAN	1	EA	1	1	2	
75	P11M0262	LAMP ASSEMBLY	1	EA	1	2	3	
76	30Z1239	BULB PEARL ES E27 230V 100W GL	1	EA	1	3	6	
77	P40M0853	CERAMIC BASE (650 OVEN) (BASE PLATE)	1	EA	1	3	6	1
79	40M0563	ROOF	1	EA	1	2	4	1
82	40M0539	TUNING STUB - 600/650 OV	2	EA	1	2	4	
89	30Z0284	SOLENOID - 240V LH ASSEMBLY	1	EA	1	3	6	
90	30Z0010	SOLENOID - 240V RH ASSEMBLY	1	EA	1	3	6	
91	20Z0710	SOLENOID CORK WASHER	4	EA	2	6	12	
92	20Z0970	PLUNGER	2	EA	2	6	12	
Not Shown	11M0459	MAINS CABLE ASSY - HD2025	1	EA	2	6	12	
Not Shown	31Z0220	MOULDED PLUG & CABLE (NOTE-1 BELOW)	1	EA	1	3	6	
Not Shown	31Z0641	1925/2025 HV LOOM KIT	1	EA	1	2	4	
Not Shown	31Z1036	STRAIN RELIEF BUSHIN (NOTE-1 BELOW)	1	EA	1	3	6	
Not Shown	31Z1250	MAINS ON/OFF SWITCH COVER	1	EA	1	3	6	
Not Shown	31Z1251	MAINS ON/OFF SWITCH BEZEL	1	EA	1	3	6	
Not Shown	P11M0426	22R GOLD RESISTOR ASSY	2	EA	1	3	6	

HD 500mm Non-Diecast Door Parts

Not Shown	P40M0924	CHOKE FILLER 500mm VERT	2	EA	2	6	12	
Not Shown	P40M0925	CHOKE FILLER 500mm HORIZ	2	EA	2	6	12	

52	11M0355	SPRING KIT 10 LEAF BK OVENS ONLY	1	EA	2	6	12	
----	---------	----------------------------------	---	----	---	---	----	--

NOTES	<p>NOTE-1 MAINS LEAD & STRAIN RELIEF - PRE JAN 2010</p> <p>NOTE-2 FROM FEB 2016 11M0473 CHANGED TO 11M0474</p>
-------	--

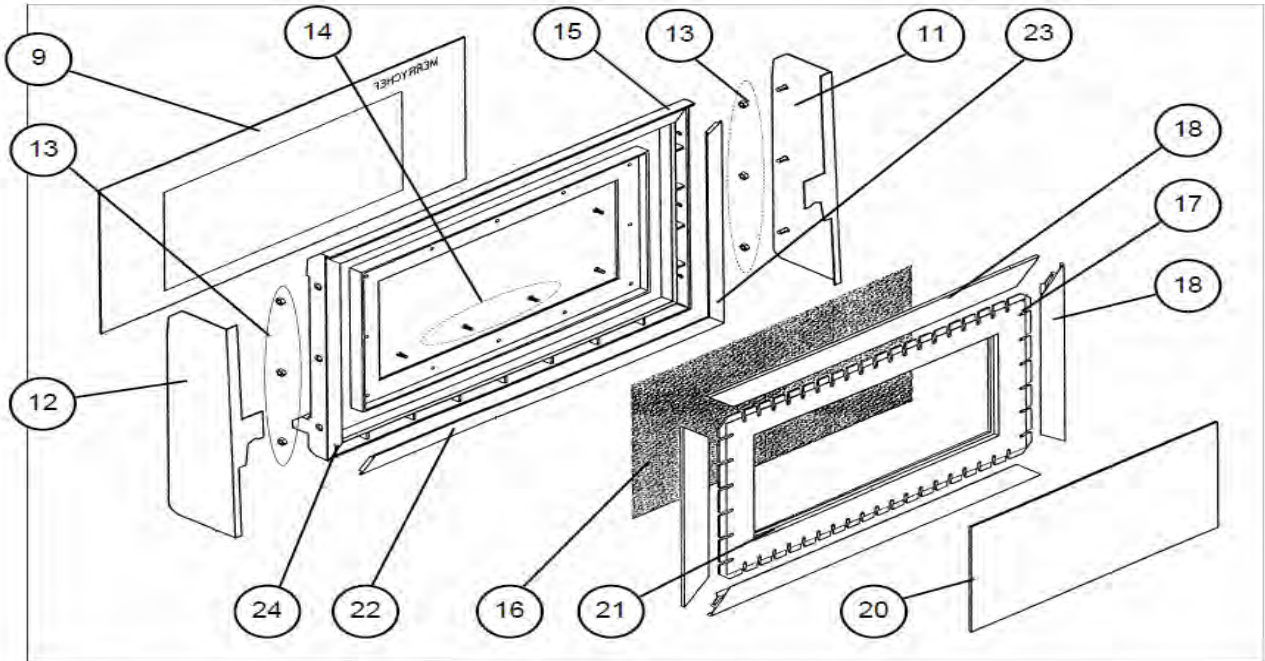
Merrychef HD Oven Range - All Models

Recommended Parts List

Recommended Min Stock Holding & Service List

Service Manual Exploded View	Part Number	Description	Qty Per Oven	Unit	1-10 Ovens	11-50 Ovens	51-100 Ovens	Recommended Service List
------------------------------	-------------	-------------	--------------	------	------------	-------------	--------------	--------------------------

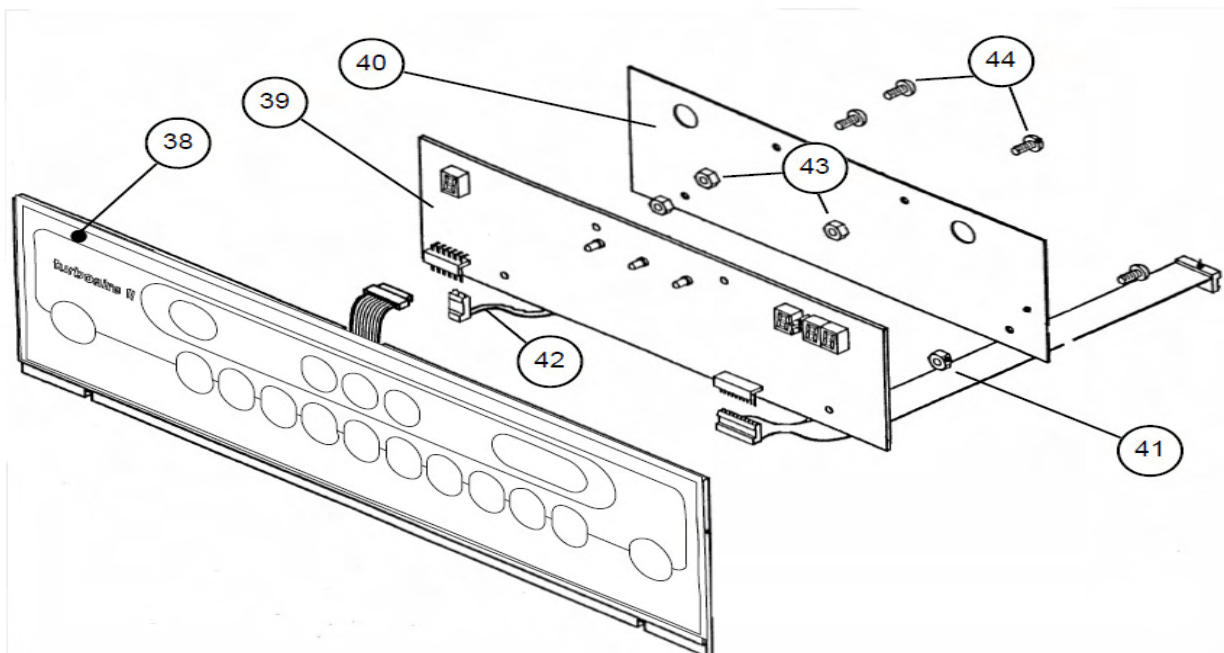
Door assembly (500mm, Die Cast) 11M0392
Microcook HD1025, HD1425, HD1725, HD1925 and TA



Note:
 Item 18 choke filler is now one piece

Items 15 Door Main Body, 16 Door Mesh, 17 Door Choke and 20 Door Inner Glass are part of Item 8 Door Assembly and not supplied separately

Control panel assembly



Merrychef HD Oven Range - All Models

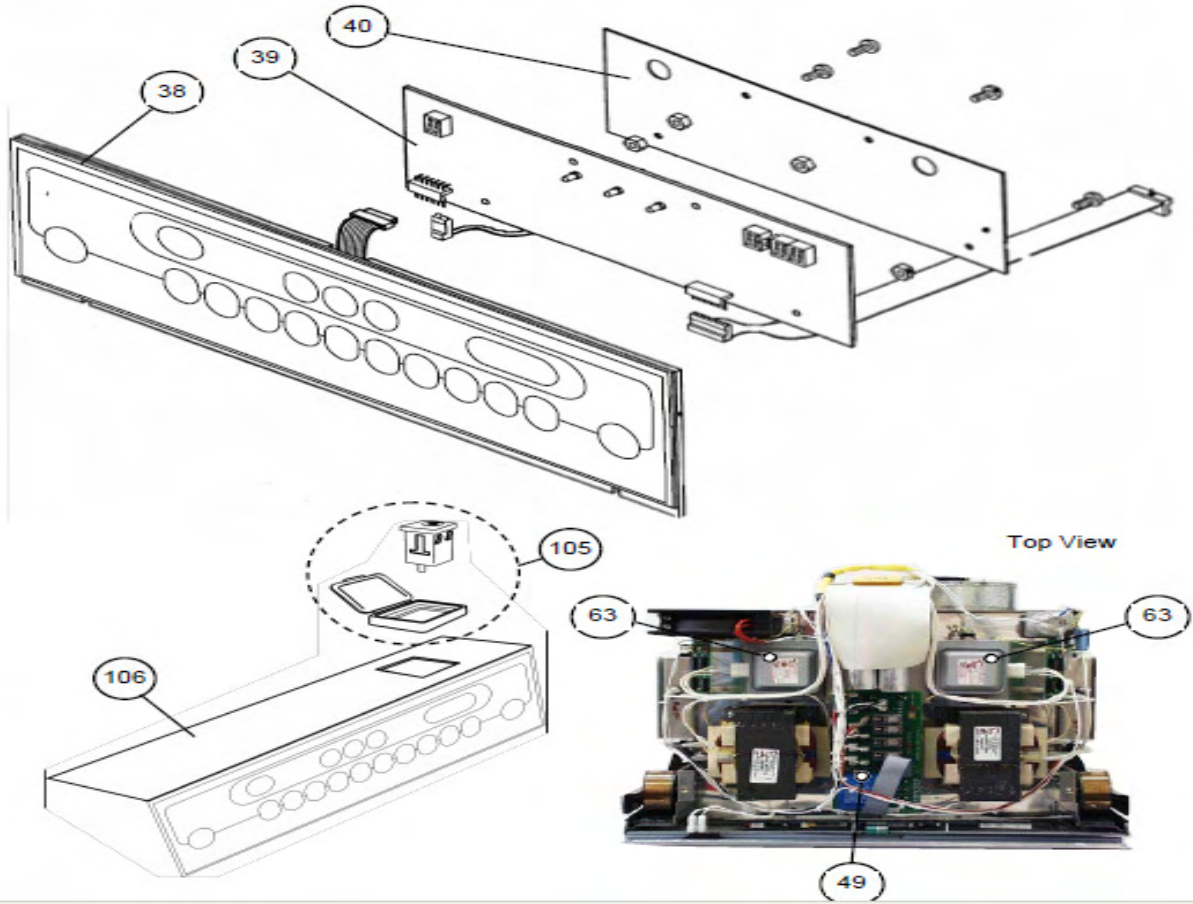
Recommended Parts List

Recommended Min Stock Holding & Service List

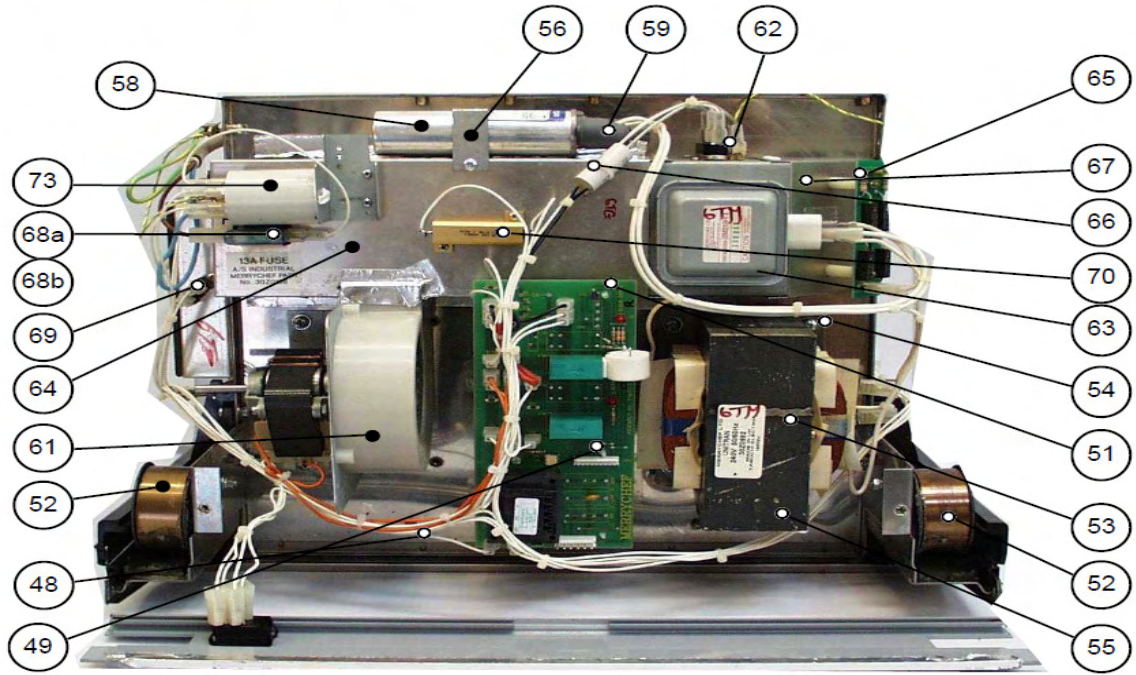
Service Manual Exploded View	Part Number	Description	Qty Per Oven	Unit	1-10 Ovens	11-50 Ovens	51-100 Ovens	Recommended Service List
------------------------------	-------------	-------------	--------------	------	------------	-------------	--------------	--------------------------

KFC models

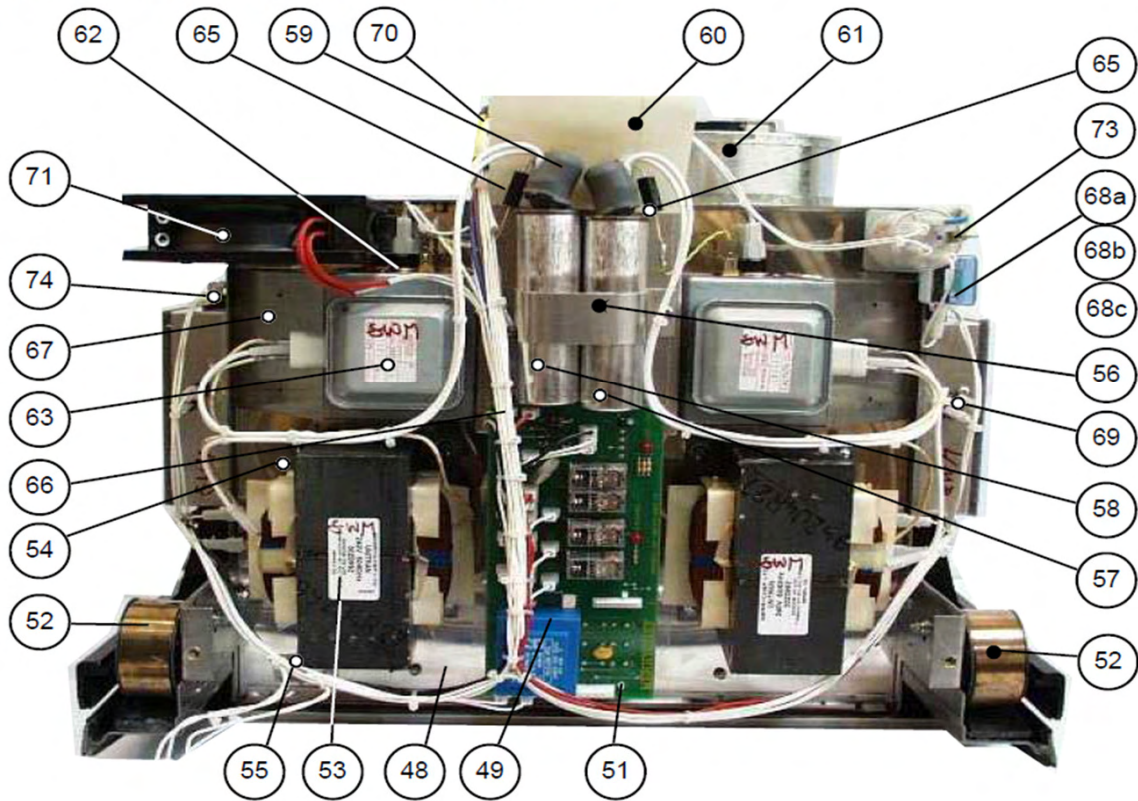
As Microcook HD1925 except the following parts:



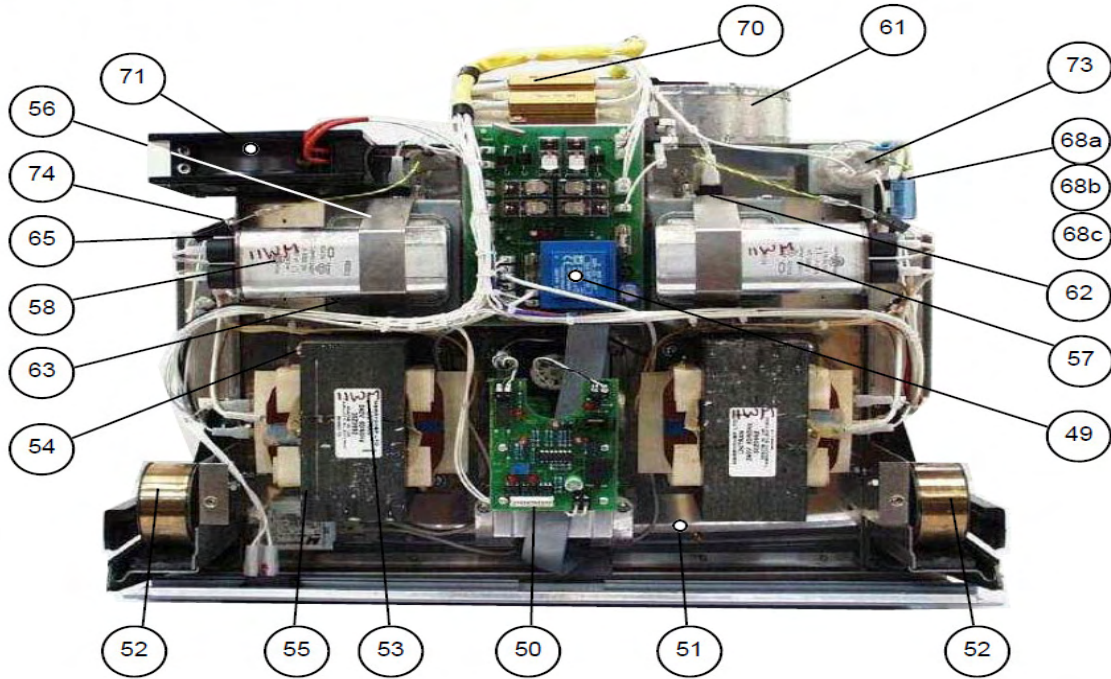
Component layout: HD1025



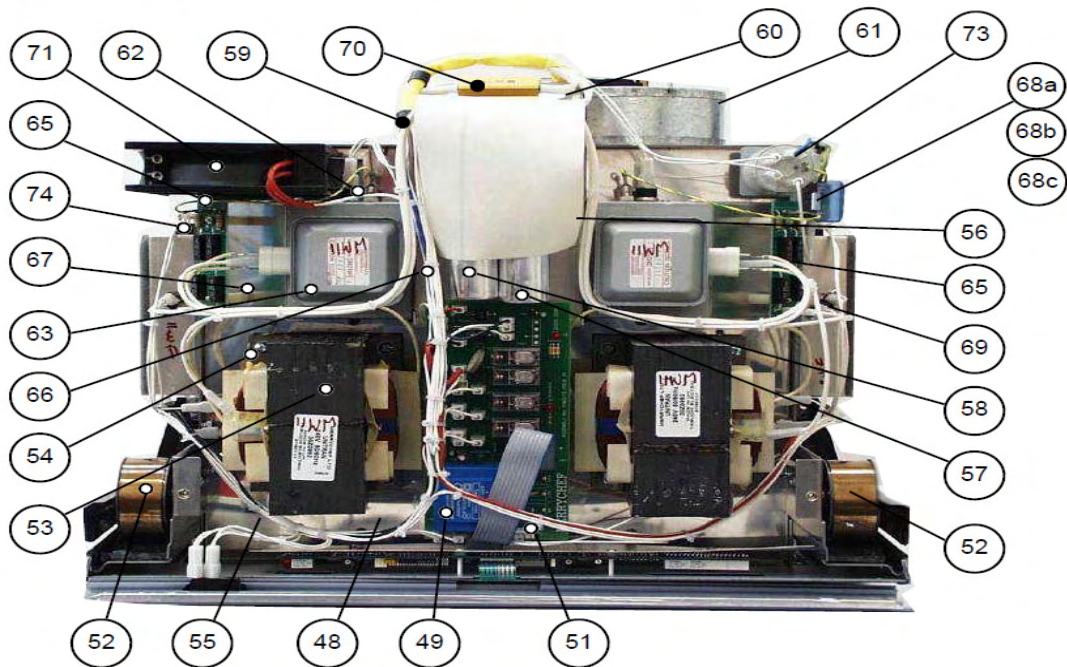
Component layout: HD1425 & HD1725



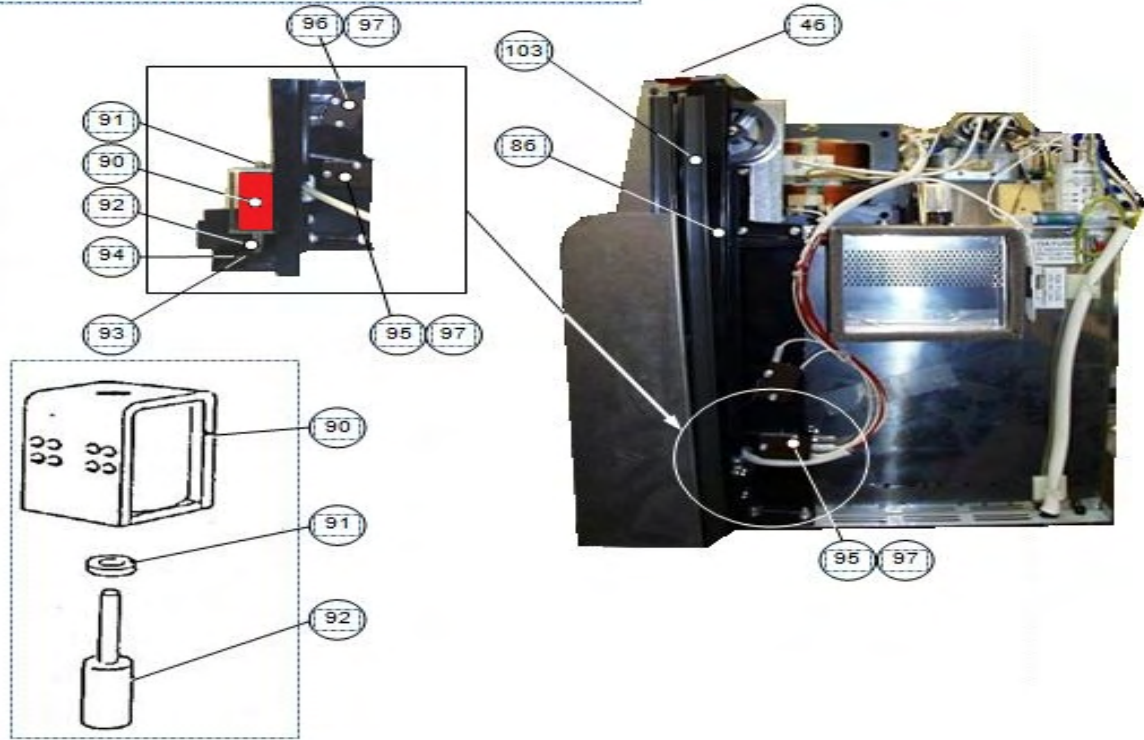
Component layout: TA1725 & TA1925



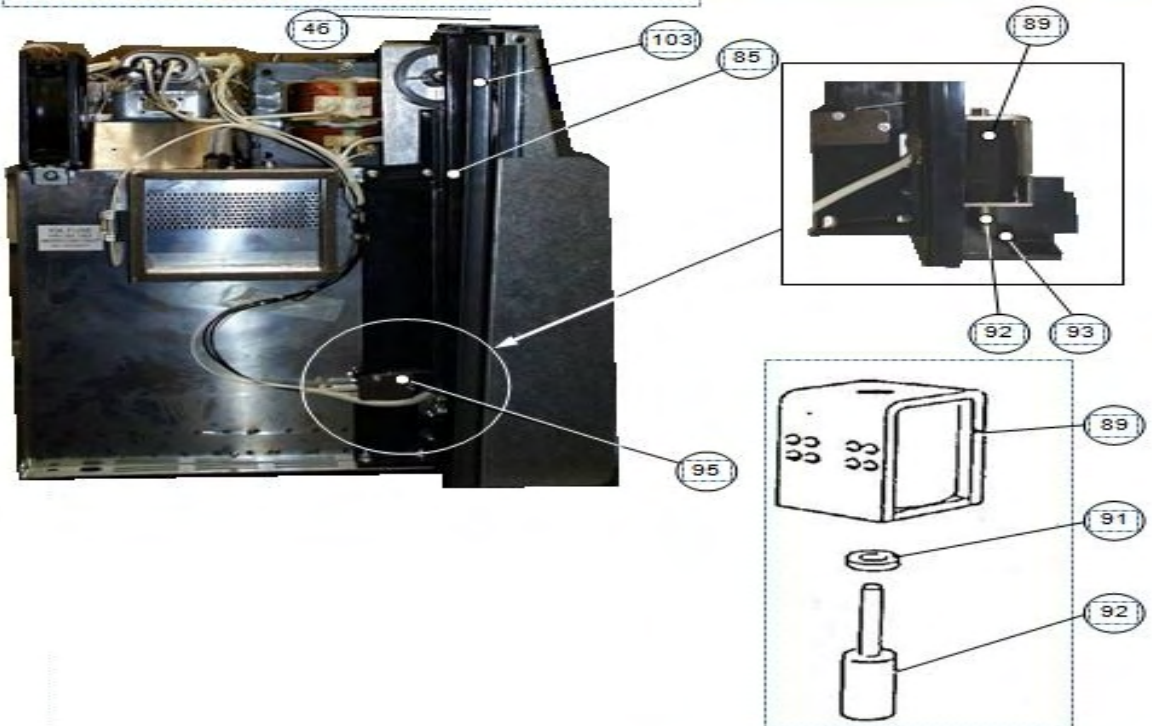
Component layout: HD1925



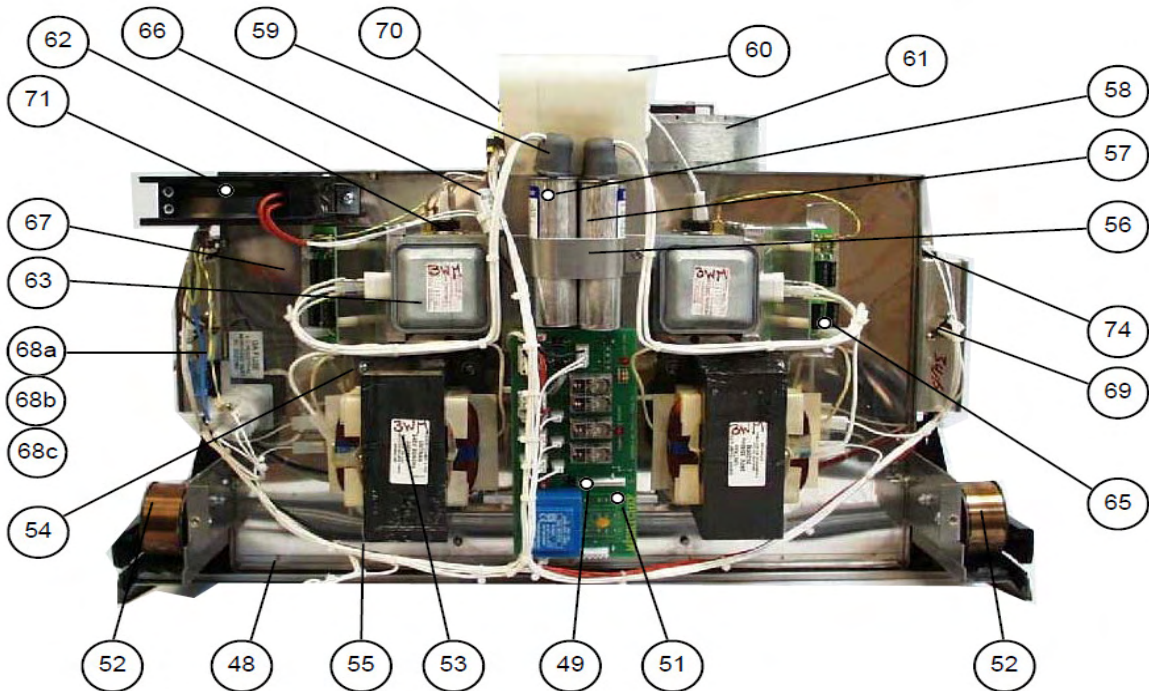
Door Opening Mechanism: Right Side
 HD1025 & HD1925 KFC models are fitted with Manual Doors and do not have the Pop-up door solenoid assembly



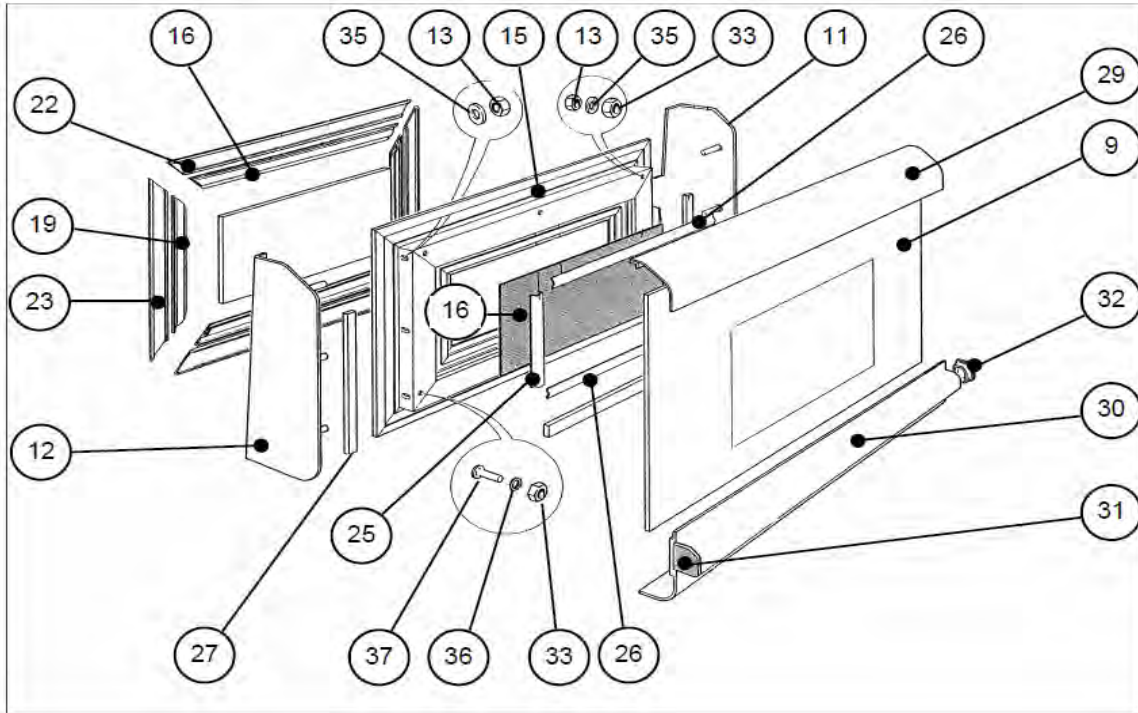
Door Opening Mechanism: Left Side
 HD1025 & HD1925 KFC models are fitted with Manual Doors and do not have the Pop-up door solenoid assembly



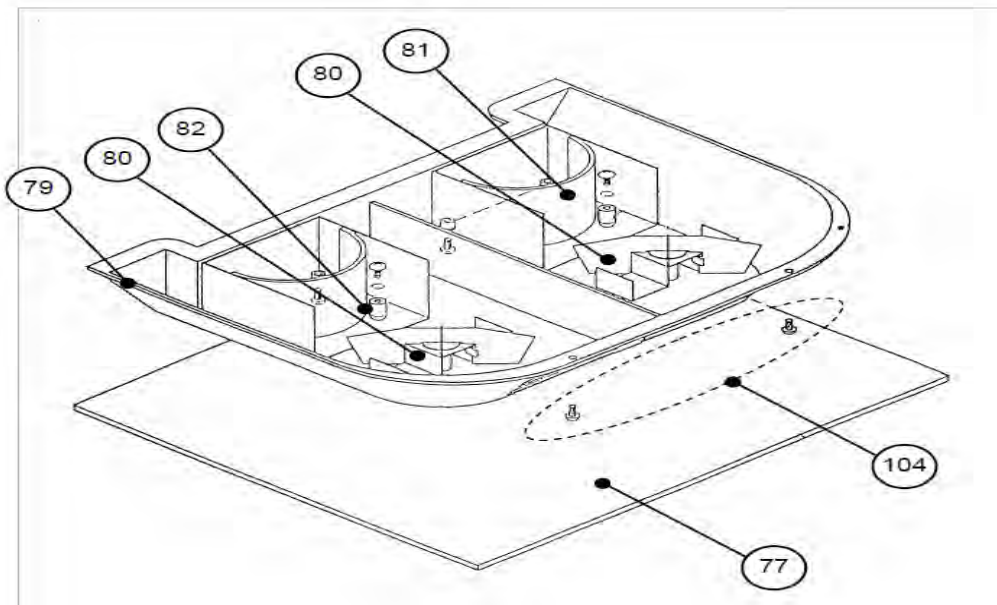
Component layout: HD2025



Door assembly (650mm, Die Cast) 11M0391
Microcook HD2025



Cavity components



Merrychef 401 - 240 Volts 50HZ - All Models

Recommended Parts List **Production Ceased - July 2010**

Recommended Min Stock Holding & Service List

Service Manual Exploded View	Part Number	Description	Qty Per Oven	Unit	1-5 Ovens	5-50 Ovens	50-100 Ovens	Recommended Service List
1	MC3134	SIDE PANEL (L/H)	1	EA	1	1	2	
2	RMC6773	FERRITE	1	EA	1	2	4	
3	MC3120MC	UPPER TRIM	1	EA	1	3	6	
6	MC3129	REAR PANEL	1	EA	1	2	4	
7	MC3155	AIR FILTER	1	EA	1	3	6	1
9	RCK6319	HANDLE HANGER	1	EA	1	2	4	
10	PDR0112	SCREW ON FOOT ASSY	4	EA	4	8	16	
11	MC3047	FRONT LOWER PANEL	1	EA	1	1	2	
12	MC3122	LOWER TRIM	1	EA	1	1	2	
13	MC3040	DOOR STAY (RH)	1	EA	1	1	2	
14	MC30121X02	HINGE BODY	1	EA	1	1	2	
17	MC3068X01	DOOR SPRING "B"	2	EA	2	6	12	2
18	MC30122X01	HINGE BODY (L/H)	1	EA	1	1	2	
19	MC3067	DOOR SPRING "A"	2	EA	2	6	12	2
20	MC3046	DOOR STAY (L/H)	1	EA	1	1	2	
23	40H0249	CAST TURNTABLE DISK	1	EA	1	2	4	
24	CP30326	BAFFLE PLATE BOLT	4	EA	4	12	24	
25	MC3765	S/STEEL BAFFLE PLATE	1	EA	1	3	6	
26	RCK7617	FAN FIXING CAP	1	EA	1	2	4	
27	MC3111	FAN	1	EA	1	3	6	
28	P11H0130	400 SERIES CERAMIC PLATE KIT	1	EA	1	3	6	1
30	MC3750MC	S/S OVEN BODY (NOT SUPPLIED FOR FIELD REPAIRS)	1	EA	1	3	6	
31	MC3216	GEARBOX	1	EA	1	3	6	
32	RMC7391X01	SHAFT	1	EA	1	2	4	
33	RMC7310	COOLING FAN	1	EA	1	2	4	
35	RCK8273	CUSHION RUBBER (MOTOR ASSY)	4	EA	4	8	16	
37	P10H0126	HOT AIR MOTOR	1	EA	1	3	6	
38	RBR1285048	SILVER DOOR HANDLE	1	EA	1	2	4	
43	31Z3150	M4X8 LOW PROFILE PH SCREW	14	EA	14	42	84	
47	MC3064X01	DOOR COVER	1	EA	1	1	2	
52	MC3065	DOOR SEAL - PACKING B	1	EA	1	1	2	1
53	MC3229	SOLID REAR DOOR COVER	1	EA	1	3	6	
55-56-57-58	30Z1459	MICROSWITCH	4	EA	4	12	24	4
59	31Z0115	INSULATOR PAD	3	EA	3	9	18	
61	31Z0042	FOAM TAPE - Per MTR	1	MT	1	3	6	
63	P30Z1349	MAGNETRON 2M248H-B	1	EA	1	3	6	1
64	30Z0088	THERMAL TRIP 140 DEG (MAGNETRON)	1	EA	1	3	6	1
69	30Z1031	THERMAL TRIP 200C (CAVITY OVERHEAT)	1	EA	1	3	6	1
74	30Z1419	TEMPERATURE SENSOR	1	EA	1	3	6	1
77-78	30Z1340	FILTER 16A SCREW MOUNT	2	EA	2	6	12	
79	20Z1080	FUSE COVER	2	EA	2	6	12	
80	30Z0217	FUSE 1in 10A HRC	4	EA	4	12	24	4
81	30Z0231	FUSEHOLDER 1in (13A)	2	EA	2	6	12	
82	30Z0456	FUSE 1IN 13A HRC	1	EA	1	3	6	1
97	30Z0503	SWITCH ON/OFF ROCKER DPST	1	EA	1	3	6	1
104	40H0084	PCB RETAINER RH	1	EA	1	1	2	
105	MC31211	SIDE TRIM LH	1	EA	1	1	2	
105A	MC31212	SIDE TRIM RH	1	EA	1	1	2	
107	31Z7010	STAND-OFF - PCB	5	EA	5	5	10	
108	11Z0298	15 WAY 0.1 RIBBON CABLE ASSY	1	EA	1	3	6	
111	31Z0328	3-WAY TERMINAL BLOCK	1	EA	1	3	6	
136	40H0236	BLANKING PLATE BAFFLE	1	EA	1	1	2	
137	DX0146	SCREW CAT COVER	3	EA	3	9	18	
Not Shown	30Z0470	FUSE 5x20mm 1A A/S (PCB FUSE)	2	EA	2	6	12	2
Not Shown	31Z0623	GOLD RESISTOR 270R ASSY	1	EA	1	3	6	
Not Shown	31Z5044	RFI GASKET 25.4MM X 11.51MM	2	EA	2	2	4	
Not Shown	40H0076	401 MICROSWITCH GUIDE	1	EA	1	1	2	
Not Shown	40H0347	CAST COOKING CAROUSEL	1	EA	1	2	4	
Not Shown	DR0056	CHROMIUM PLATED STEEL RACK	1	EA	1	3	6	
Not Shown	DX0117	OVEN TRAY	1	EA	1	3	6	
Not Shown	SR313	GENERIC HANDLE V2	1	EA	1	3	6	

Merrychef 401 - 240 Volts 50HZ - All Models

Recommended Parts List **Production Ceased - July 2010**

Recommended Min Stock Holding & Service List

Service Manual Exploded View	Part Number	Description	Qty Per Oven	Unit	1-5 Ovens	5-50 Ovens	50-100 Ovens	Recommended Service List
Merrychef RD401 CD2 - 230Volts 50Hz - UK - Unique Parts								
4	RMC6759EMC	TOP PLATE	1	EA	1	2	4	
8	MC3133	SIDE PANEL (R/H)	1	EA	1	3	6	
22	MC3230X02	SOLID DOOR ASSY	1	EA	1	3	6	
62	MC3102	INLET DUCT	1	EA	1	3	6	
66	P11H0091	BLOWER ASSEMBLY	1	EA	1	2	4	
73	40H0009	HEATER ELEMENT 240V 3KW	1	EA	1	1	2	
75	P11H0010	HT DIODE ASSY	1	EA	1	3	6	1
76	30Z1331	1.0uF 2500V CAPACITOR	1	EA	1	3	6	1
89	P11H0025	FILTER WIRE ASSY	1	EA	1	2	4	
90	P30Z1233	50HZ TRANS MULTI 220 240	1	EA	1	3	6	
113	31Z0220	MOLDED PLUG & CABLE (EE5 13A) (NOTE-1 BELOW)	1	EA	1	3	6	
116	31Z1036	STRAIN RELIEF BUSHIN (NOTE-1 BELOW)	1	EA	1	3	6	
117	310010	FAN 80MM 240V AXIAL	1	EA	1	3	6	
121	P11H0027	MICROAIRE CD2 LOGIC PCB ASSY	1	EA	1	2	4	1
122	30Z0991	TIMER - MEALSTREAM CD	1	EA	1	3	6	
123	316031	NEON AMBER 240V	1	EA	1	3	6	
124E	P11C0406	CONTROL KNOB ASSY GREY	3	EA	3	3	6	
125	31Z0349	PUSHBUTTON DPST MOMENTARY RED	1	EA	1	3	6	1
126	316030	NEON RED 240V	1	EA	1	3	6	
127	40C0892	POTENTIOMETER	2	EA	2	6	12	
Not Shown	40H0216	TRANSFORMER CLAMP BRKT	1	EA	1	3	6	
Not Shown	P11H0008	MODIFICATION KIT - MICROSWITCHES	1	EA	1	3	6	
Not Shown	P11H0059	MICROAIRE CD2 CONTROL ASSY BLUE	1	EA	1	2	4	
Not Shown	P11H0079	SUPPRESSOR ASSY (EC401 CTRL)	1	EA	1	2	4	

Merrychef EC401 EE5 - 230Volts 50Hz - UK - Unique Parts								
4	RMC6759EMC	TOP PLATE	1	EA	1	2	4	
8	MC3133	SIDE PANEL (R/H)	1	EA	1	3	6	
22	MC3230X02	SOLID DOOR ASSY	1	EA	1	3	6	
62	MC3102	INLET DUCT	1	EA	1	3	6	
66	P11H0091	BLOWER ASSEMBLY (NOTE-2 BELOW)	1	EA	1	2	4	
70	341520	BRIDGE RECTIFIER 25A 800V	1	EA	1	3	6	
73	40H0009	HEATER ELEMENT 240V 3KW	1	EA	1	1	2	
75	P11H0010	HT DIODE ASSY	1	EA	1	3	6	1
76	30Z1331	1.0uF 2500V CAPACITOR	1	EA	1	3	6	1
89	P11H0025	FILTER WIRE ASSY	1	EA	1	2	4	
90	P30Z1233	50HZ TRANS MULTI 220 240	1	EA	1	3	6	
95	P11H0060	MEMBRANE ASSY BLUE	1	EA	1	2	4	
95	P11H0067	401 EC MK MEMBRANE PANEL BLUE	1	EA	1	2	4	
98	P11H0066	401 EC MK LOGIC PCB ASSY (NOTE-3 BELOW)	1	EA	1	2	4	1
102	30Z0283	470R 50W 5% AC	1	EA	1	3	6	
103	P11C0286	MICROAIRE SERIES 5 RELAY ASSY	1	EA	1	3	6	1
112	31Z1070	CABLE GLAND POZ16	1	EA	1	3	6	
112A	31Z1082	CABLE GLAND NUT GM16	1	EA	1	3	6	
113	31Z0220	MOLDED PLUG & CABLE (EE5 13A) (NOTE-1 BELOW)	1	EA	1	3	6	
113	31Z0604	PLUG+LEAD 2M RUBBER UK	1	EA	1	3	6	
116	31Z1036	STRAIN RELIEF BUSHIN (NOTE-1 BELOW)	1	EA	1	3	6	
117	310010	FAN 80MM 240V AXIAL	1	EA	1	3	6	
128	P30Z1128	401 XX5 50Hz MAG C/FAN (NOTE-2 BELOW)	1	EA	1	3	6	
129	P10H0053	TURNTABLE MOTOR SERVICE (NOTE-2 BELOW)	1	EA	1	3	6	
Not Shown	40H0216	TRANSFORMER CLAMP BRKT	1	EA	1	3	6	
Not Shown	P11H0008	MODIFICATION KIT - MICROSWITCHES	1	EA	1	3	6	
Not Shown	P11H0079	SUPPRESSOR ASSY (EC401 CTRL)	1	EA	1	2	4	

Merrychef 401 - 240 Volts 50HZ - All Models

Recommended Parts List **Production Ceased - July 2010**

Recommended Min Stock Holding & Service List

Service Manual Exploded View	Part Number	Description	Qty Per Oven	Unit	1-5 Ovens	5-50 Ovens	50-100 Ovens	Recommended Service List
------------------------------	-------------	-------------	--------------	------	-----------	------------	--------------	--------------------------

Merrychef EC401 XE5 - 230Volts 50Hz - UK - Unique Parts

4	RMC6759EMC	TOP PLATE	1	EA	1	2	4	
8	MC3133	SIDE PANEL (R/H)	1	EA	1	3	6	
22	MC3230X02	SOLID DOOR ASSY	1	EA	1	3	6	
62	MC3102	INLET DUCT	1	EA	1	3	6	
66	P11H0091	BLOWER ASSEMBLY (NOTE-2 BELOW)	1	EA	1	2	4	
70	341520	BRIDGE RECTIFIER 25A 800V	1	EA	1	3	6	
73	40H0009	HEATER ELEMENT 240V 3KW	1	EA	1	1	2	
75	P11H0010	HT DIODE ASSY	1	EA	1	3	6	1
76	30Z1331	1.0uF 2500V CAPACITOR	1	EA	1	3	6	1
89	P11H0025	FILTER WIRE ASSY	1	EA	1	2	4	
90	P30Z1233	50HZ TRANS MULTI 220 240	1	EA	1	3	6	
95	P11H0060	MEMBRANE ASSY BLUE	1	EA	1	2	4	
95	P11H0067	401 EC MK MEMBRANE PANEL BLUE	1	EA	1	2	4	
98	P11H0066	401 EC MK LOGIC PCB ASSY	1	EA	1	2	4	1
102	30Z0283	470R 50W 5% AC	1	EA	1	3	6	
103	P11H0077	401 - S/STATE RELAY PCB ASSY	1	EA	1	2	4	1
112	31Z1070	CABLE GLAND POZ16	1	EA	1	1	2	
112A	31Z1082	CABLE GLAND NUT GM16	1	EA	1	1	2	
117	310010	FAN 80MM 240V AXIAL	1	EA	1	3	6	
128	P30Z1128	401 XX5 50Hz MAG C/FAN (NOTE-2 BELOW)	1	EA	1	3	6	
129	P10H0053	TURNTABLE MOTOR SERVICE (NOTE-2 BELOW)	1	EA	1	3	6	
131	P10C0148	MENUKEY ASSEMBLY	1	EA	1	3	6	
135-136A-137	P11H0086	EC403 CAT ASSY (REMOVABLE)	1	EA	1	2	4	
Not Shown	31Z0387	32A (BLUE) SINGLE PHASE PLUG	1	EA	1	3	6	
Not Shown	40H0216	TRANSFORMER CLAMP BRKT	1	EA	1	3	6	
Not Shown	P11H0008	MODIFICATION KIT - MICROSWITCHES	1	EA	1	3	6	
Not Shown	P11H0079	SUPPRESSOR ASSY (EC401 CTRL)	1	EA	1	2	4	

Merrychef EC401 XX5 - 230Volts 50Hz - UK/EU/INT - Unique Parts

4	RMC6759EMC	TOP PLATE	1	EA	1	2	4	
8	MC3133	SIDE PANEL (R/H)	1	EA	1	2	4	
22	MC3230X02	SOLID DOOR ASSY	1	EA	1	3	6	
73	40H0009	HEATER ELEMENT 240V 3KW	1	EA	1	1	2	
76	30Z1329	0.75uF CAPACITOR 2500V	2	EA	2	6	12	2
90	P30Z1233	50HZ TRANS MULTI 220 240	2	EA	2	6	12	
95	P11H0060	MEMBRANE ASSY BLUE	1	EA	1	2	4	
95	P11H0067	401 EC MK MEMBRANE PANEL ASSY	1	EA	1	2	4	
98	P11H0066	401 EC MK LOGIC PCB ASSY	1	EA	1	2	4	1
102	30Z0283	470R 50W 5% AC	2	EA	2	6	12	
103	P11H0077	401 - S/STATE RELAY PCB ASSY	1	EA	1	2	4	1
112	31Z1070	CABLE GLAND POZ16	1	EA	1	3	6	
112A	31Z1082	CABLE GLAND NUT GM16	1	EA	1	3	6	
115	10H0065	401/3 XX5 SUPPLY KIY 1P+N+E	1	EA	1	2	4	
115a	10H0063	401/3 XX5 2P SUPPLY KIT 2P+N+E	1	EA	1	3	6	
117	310010	FAN 80MM 240V AXIAL	2	EA	2	6	12	
128	P30Z1128	230V 50Hz SCROLL FAN (MAG COOLING)	1	EA	1	3	6	
129	P10H0053	TURNTABLE MOTOR SERVICE	1	EA	1	3	6	
130	P11H0058	HT DIODE PCB ASSY	1	EA	2	6	12	1
131	P10C0148	MENUKEY ASSEMBLY	1	EA	1	3	6	
133	40H0174	MAG COOLING FAN DUCT BOTTOM	1	EA	1	3	6	
133	40H0176	MAG FAN DUCTING TOP	1	EA	1	3	6	
135-136A-137	P11H0086	EC403 CAT ASSY (REMOVABLE)	1	EA	1	2	4	
Not Shown	10H0062	401/3 XX5 2P SUPPLY KIT 2P+N+E (AUSTRALIA ONLY)	2	EA	1	3	6	
Not Shown	P11H0008	MODIFICATION KIT - MICROSWITCHES	1	EA	1	3	6	

Merrychef 401 - 240 Volts 50HZ - All Models

Recommended Parts List **Production Ceased - July 2010**

Recommended Min Stock Holding & Service List

Service Manual Exploded View	Part Number	Description	Qty Per Oven	Unit	1-5 Ovens	5-50 Ovens	50-100 Ovens	Recommended Service List
Merrychef EC401 XX5 - 220Volts 60Hz - INT - Unique Parts								
4	RMC6759EMC	TOP PLATE	1	EA	1	2	4	
8	MC3133	SIDE PANEL (R/H)	1	EA	1	2	4	
22	MC3230X02	SOLID DOOR ASSY	1	EA	1	3	6	
73	40H0077	HEATER ELEMENT 220V 3KW	1	EA	1	3	6	
76	30Z1249	0.6uF CAPACITOR 2500V	1	EA	1	3	6	1
76	30Z1329	0.75uF CAPACITOR 2500V	1	EA	1	3	6	1
90	P30Z1230	60HZ TRANS MULTI 220 240	2	EA	2	6	12	
95	P11H0067	401 EC MK MEMBRANE PANEL ASSY	1	EA	1	2	4	
98	P11H0066	401 EC MK LOGIC PCB ASSY	1	EA	1	2	4	1
102	30Z0283	470R 50W 5% AC	2	EA	2	6	12	
103	P11H0077	401 - S/STATE RELAY PCB ASSY	1	EA	1	2	4	1
112	31Z1070	CABLE GLAND POZ16	1	EA	1	3	6	
112A	31Z1082	CABLE GLAND NUT GM16	1	EA	1	3	6	
115	10H0065	401/3 XX5 SUPPLY KIY 1P+N+E	1	EA	1	3	6	
115a	10H0063	401/3 XX5 2P SUPPLY KIT 2P+N+E	1	EA	1	3	6	
117	310010	FAN 80MM 240V AXIAL	2	EA	2	6	12	
128	P30Z1190	MAG COOLING FAN XX5 220V 60Hz	1	EA	1	3	6	
129	P10H0053	TURNTABLE MOTOR SERVICE	1	EA	1	3	6	
130	P11H0058	HT DIODE PCB ASSY	1	EA	2	6	12	1
131	P10C0148	MENUKEY ASSEMBLY	1	EA	1	3	6	
133	40H0174	MAG COOLING FAN DUCT BOTTOM	1	EA	1	3	6	
133	40H0176	MAG FAN DUCTING TOP	1	EA	1	3	6	
135-136A-137	P11H0086	EC403 CAT ASSY (REMOVABLE)	1	EA	1	2	4	
Not Shown	P11H0008	MODIFICATION KIT - MICROSWITCHES	1	EA	1	3	6	

Merrychef EC401 - 230Volts 50Hz - SOLID BASE - Unique Parts - **Introduced 1 Feb 2009****All The Same Parts As EC401 - XX5 - Except For The Changes Below**

4	RMC6759EMC	TOP PLATE	1	EA	1	2	4	
8	MC3145	SIDE PANEL (R/H)	1	EA	1	3	6	
22	MC3230MCX03	SOLID DOOR ASSY (SOLID BASE)	1	EA	1	3	6	
104	MC3789MC	DECORATIVE FRAME LHS	1	EA	1	3	6	
113	31Z0604	PLUG+LEAD 2M RUBBER UK	1	EA	1	3	6	
113	31Z0605	PLUG+LEAD 2M RUBBER EU	1	EA	1	3	6	
138	30Z1396	MICROSWITCH SHORT LEVER	1	EA	1	3	6	1
138 -139	P11H0107	EC400 PRIMARY MONITOR S/W ASSY	1	EA	1	3	6	
139	30Z1395	MICROSWITCH BUTTON PLUNGER	1	EA	1	3	6	1
140	40H0259	RUBBER BASE SEAL LONG	2	EA	2	6	12	
140	40H0260	RUBBER BASE SEAL SHORT	2	EA	2	6	12	
141	P11H0119	TEMPERATURE ADJUSTMENT ASSY (XX5)	1	EA	1	2	4	

NOTES:

NOTE-1 From September 2009 Mains Cable Assembly & Strain Relief changed from 31Z0220 & 31Z1036**NOTE-2** From June 2010 Blower/Turntable Motor Assy changed to P10H0053 - Turntable Motor and P30Z1128 - 401 XX5 50Hz Mag C/Fan**NOTE-3** From Feb 2009 11C0286 Replaced with P11C0066

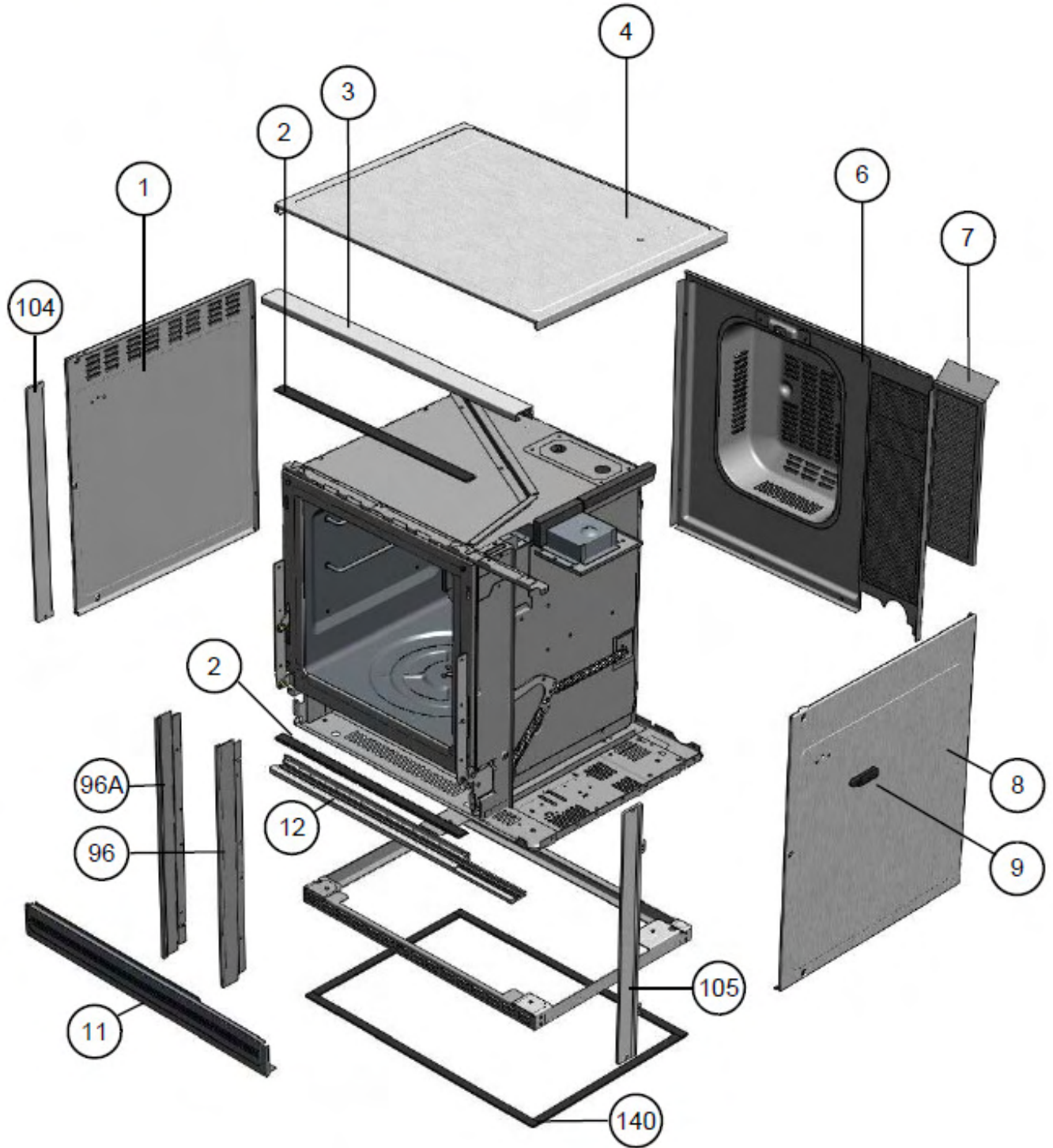
Merrychef 401 - 240 Volts 50HZ - All Models

Recommended Parts List **Production Ceased - July 2010**

Recommended Min Stock Holding & Service List

Service Manual Exploded View	Part Number	Description	Qty Per Oven	Unit	1-5 Ovens	5-50 Ovens	50-100 Ovens	Recommended Service List
------------------------------	-------------	-------------	--------------	------	-----------	------------	--------------	--------------------------

Principal components: casework



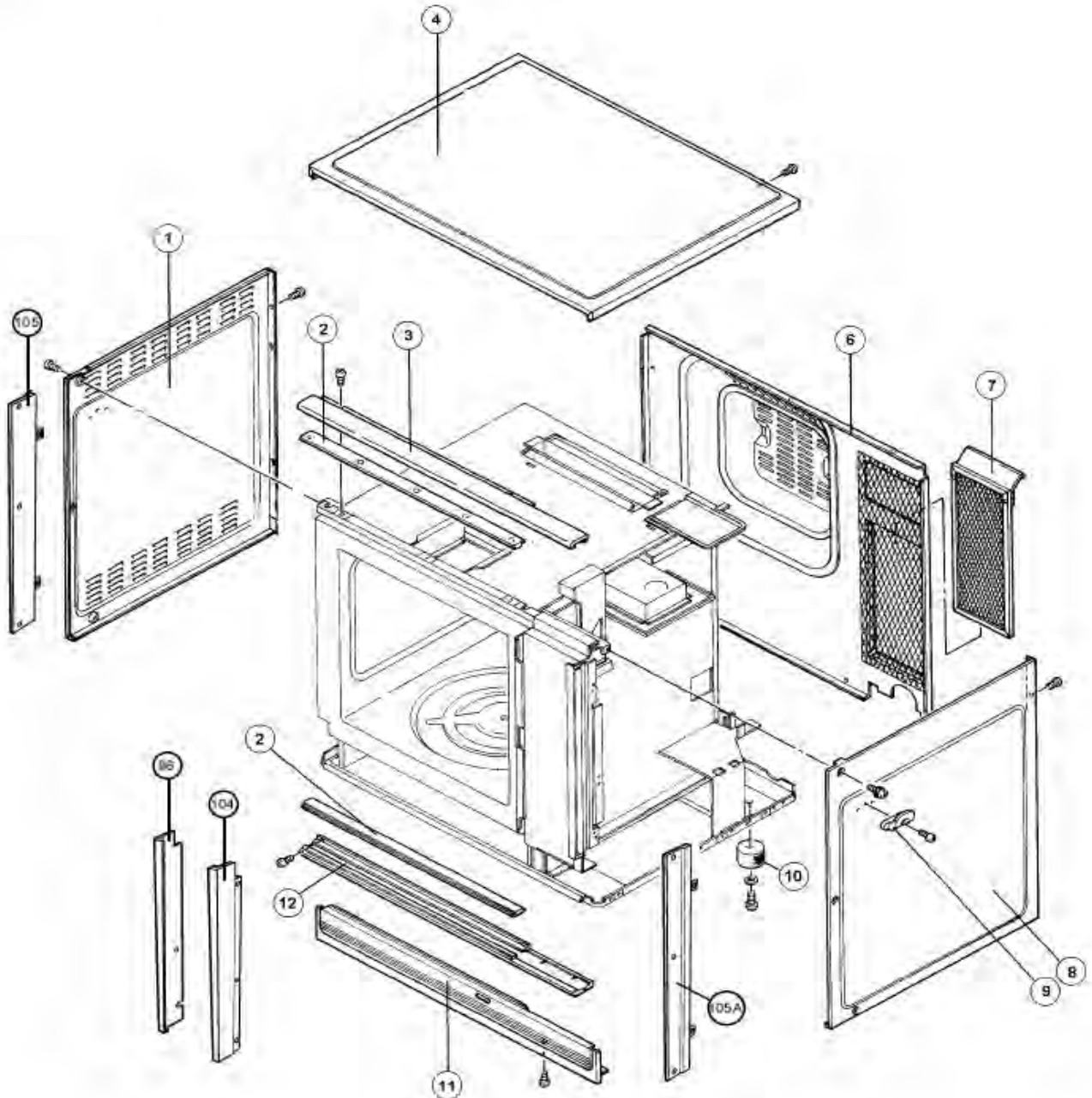
Merrychef 401 - 240 Volts 50HZ - All Models

Recommended Parts List **Production Ceased - July 2010**

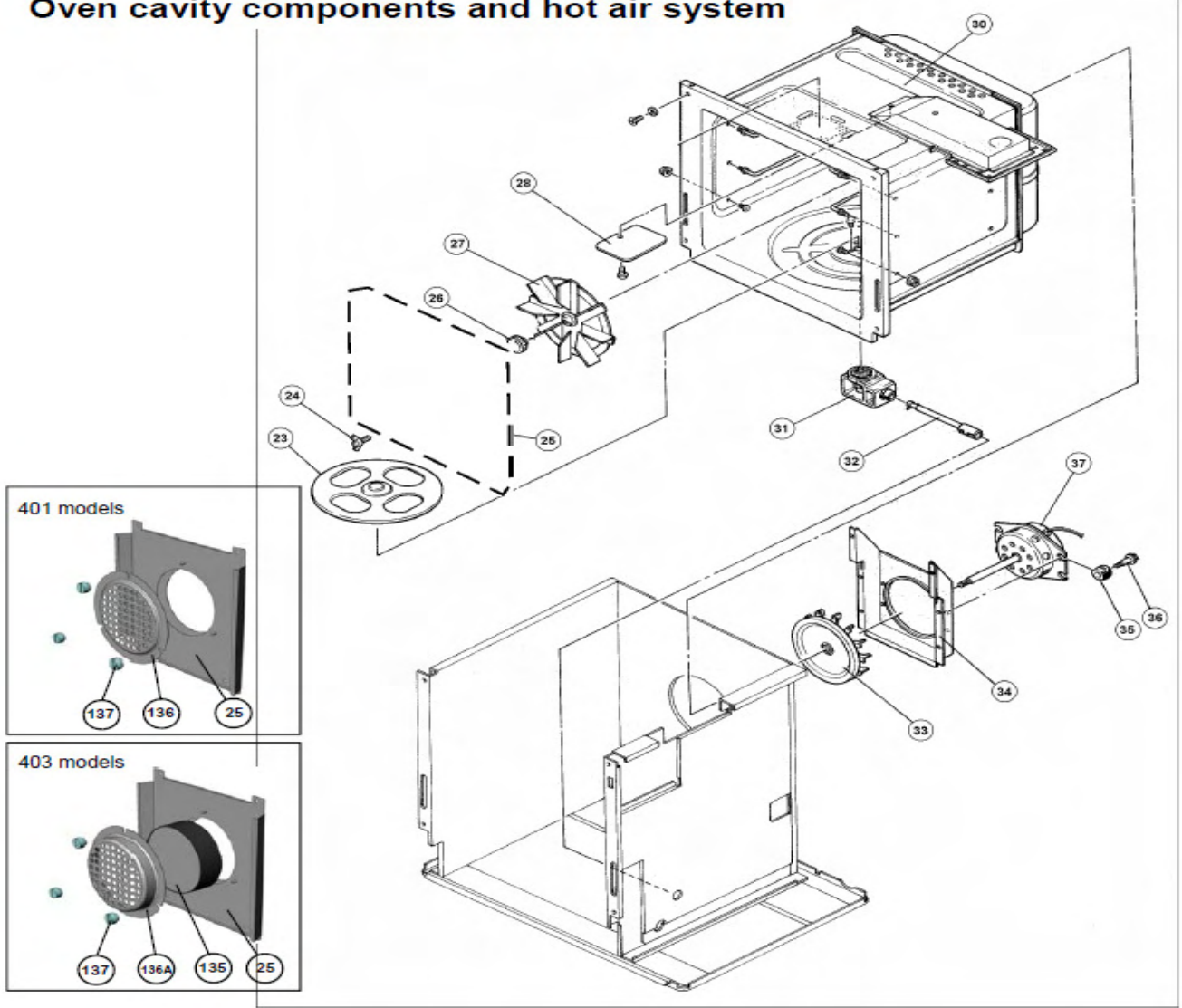
Recommended Min Stock Holding & Service List

Service Manual Exploded View	Part Number	Description	Qty Per Oven	Unit	1-5 Ovens	5-50 Ovens	50-100 Ovens	Recommended Service List
------------------------------	-------------	-------------	--------------	------	-----------	------------	--------------	--------------------------

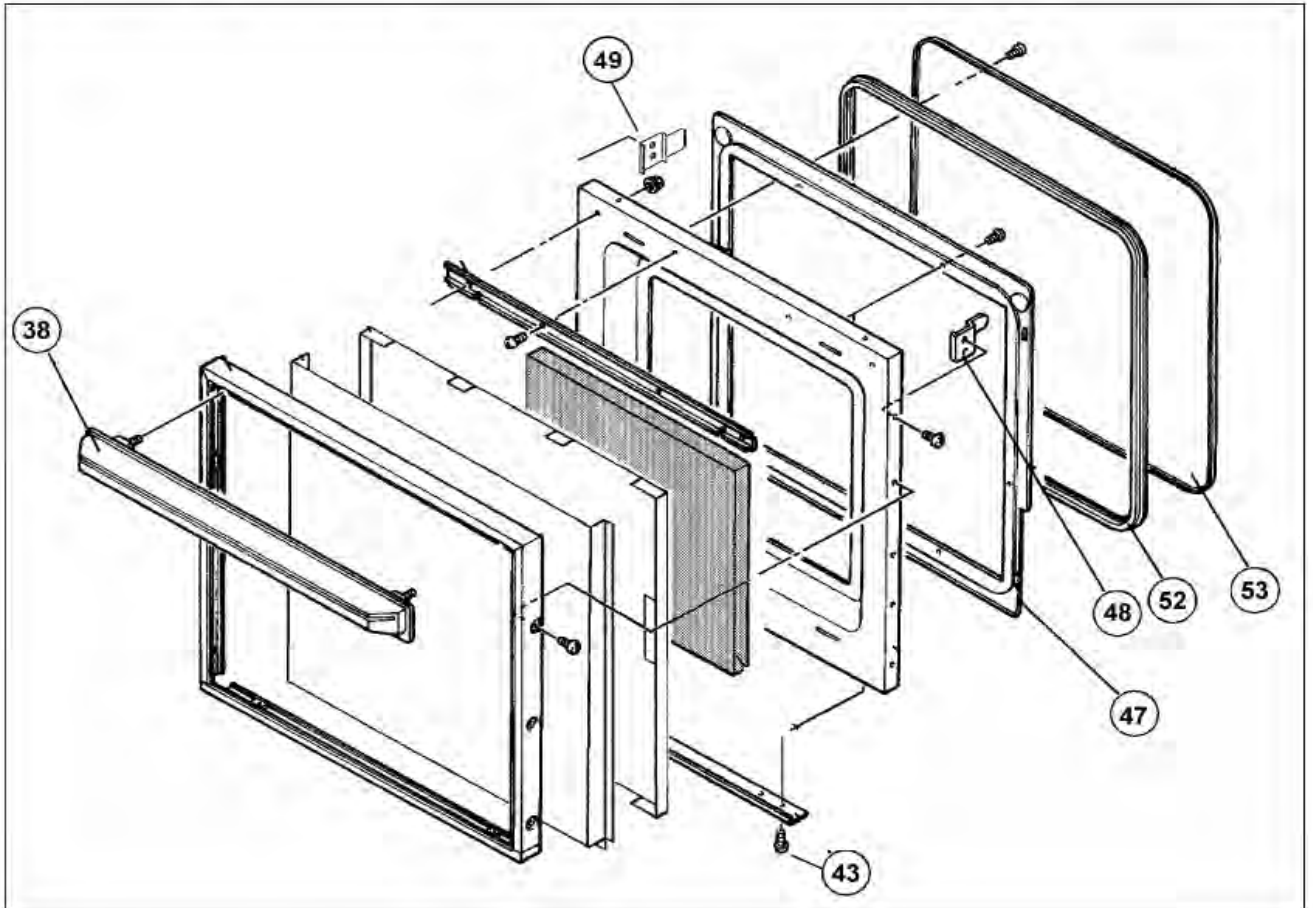
Principal components: casework



Oven cavity components and hot air system

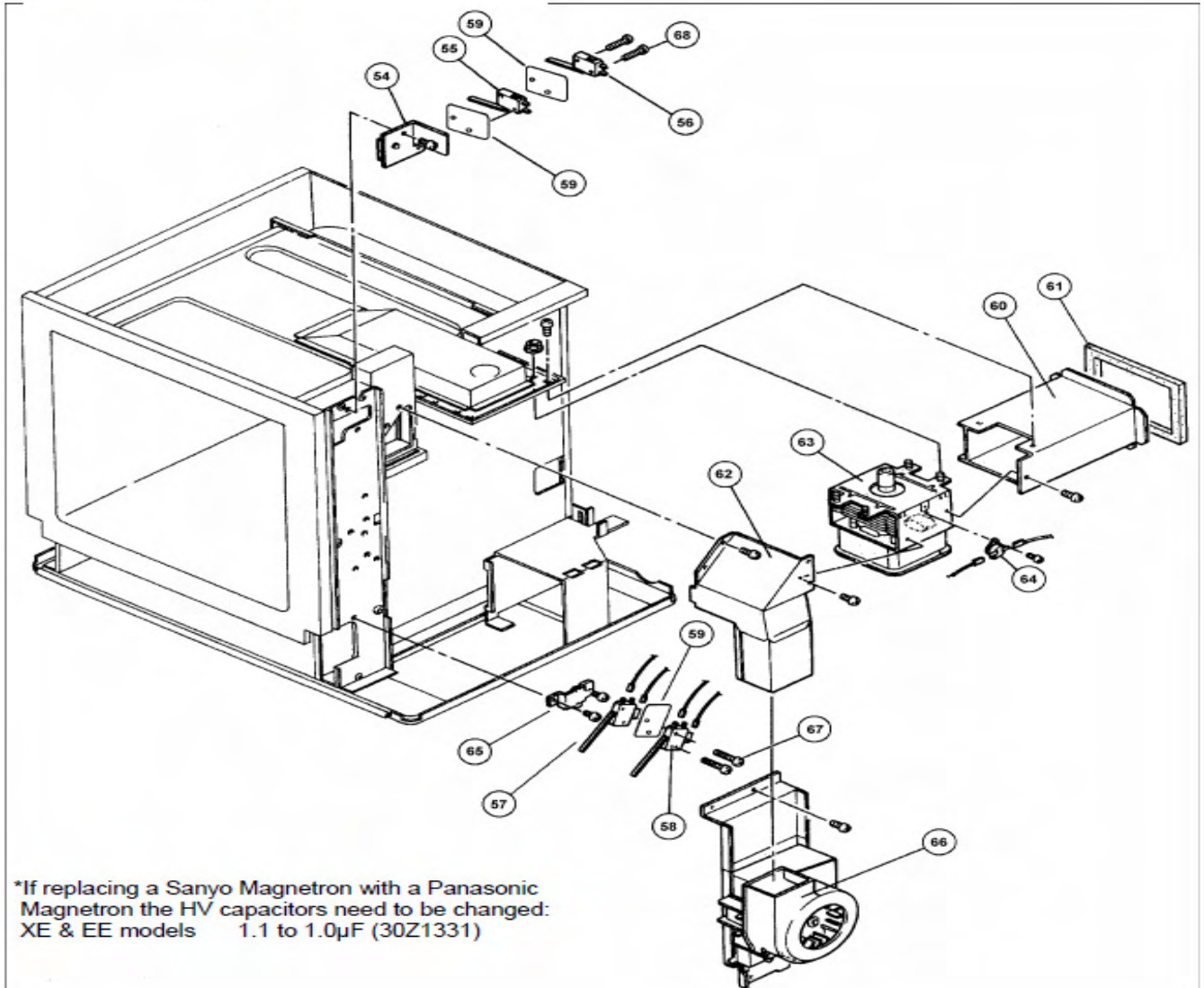


Oven door assembly



Magnetron and door interlock components

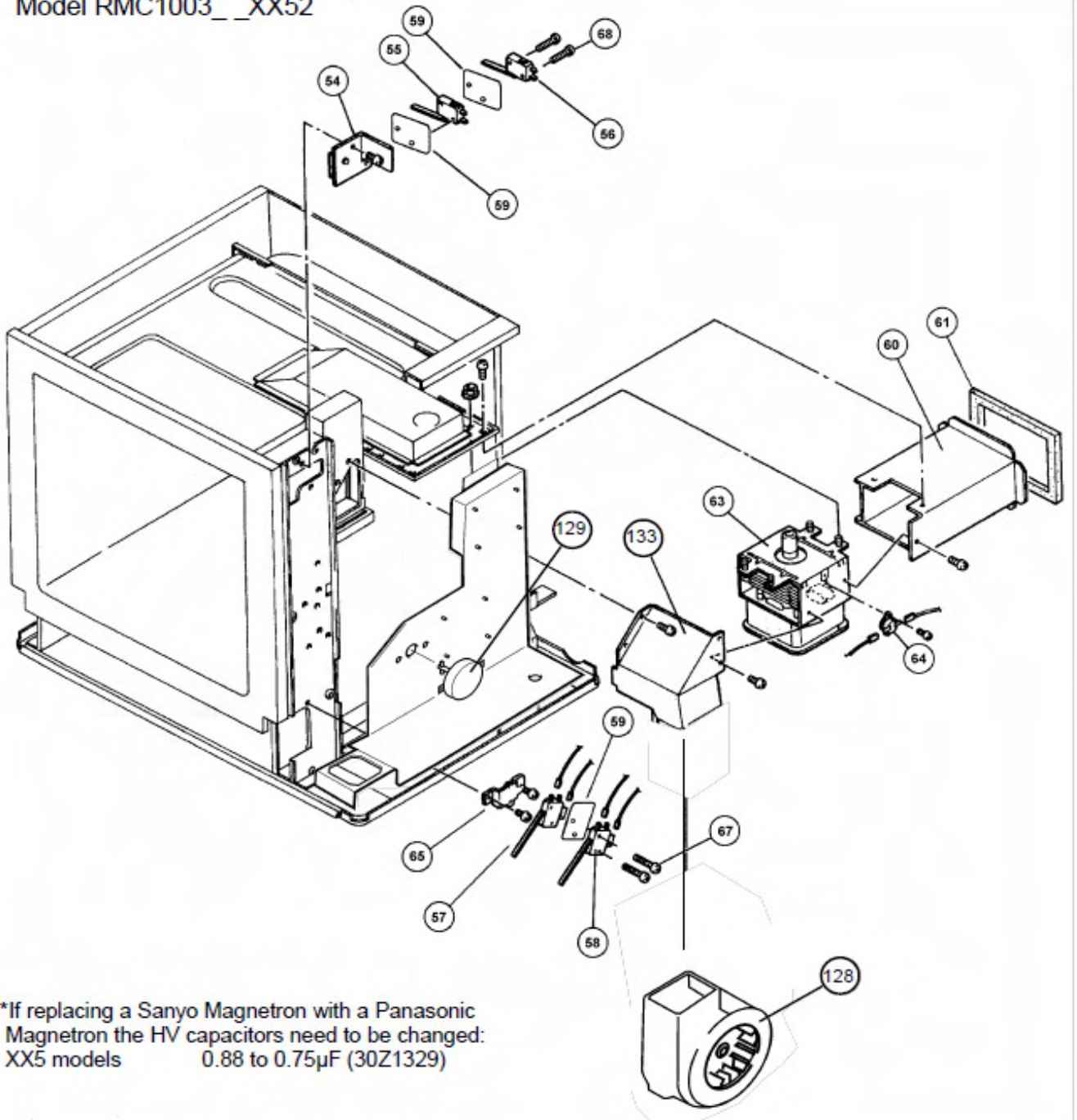
Model RMC1003__EE5
Model RMC1003__XE5



*If replacing a Sanyo Magnetron with a Panasonic Magnetron the HV capacitors need to be changed:
XE & EE models 1.1 to 1.0 μ F (30Z1331)

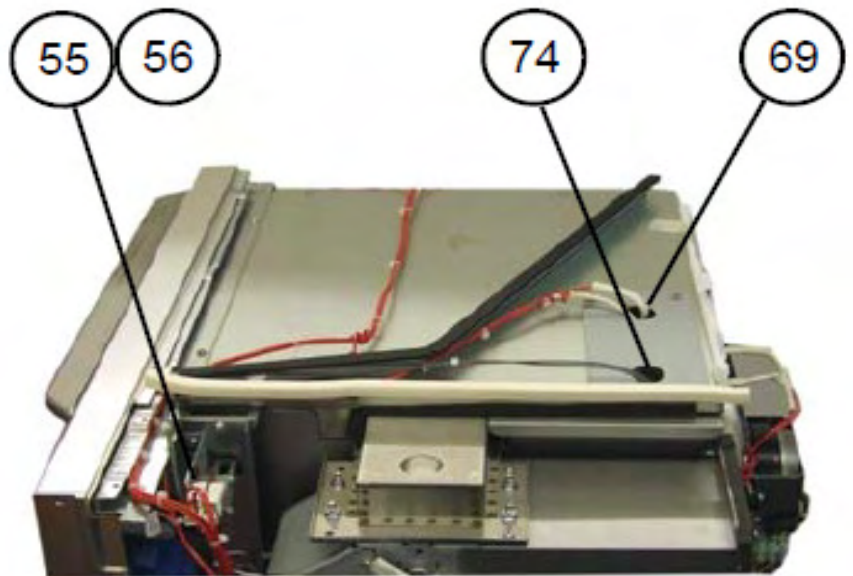
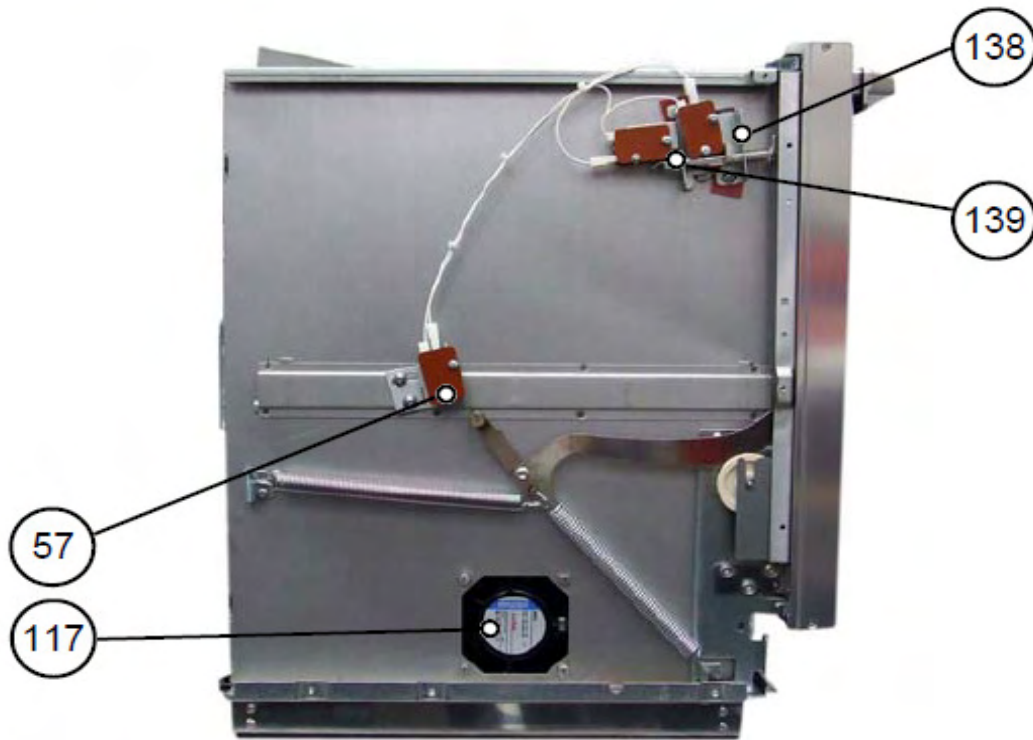
Magnetron and door interlock components

Model RMC1003__XX5
 Model RMC1003__XX52



Principal Components LHS & RHS

Microswitches



Merrychef 402s - All Models

Recommended Parts List **Production Ceased - Oct 2010**

Recommended Min Stock Holding & Service List

Service Manual Exploded View	Part Number	Description	Qty Per Oven	Unit	1-10 Ovens	11-50 Ovens	51-100 Ovens	Recommended Service List
1	30Z1436	OVERHEAT SAFETY STAT (OVEN)	1	EA	1	3	6	
2	30Z1298	CAPACITOR - MOTOR START - 2uF	1	EA	1	3	6	
3	30Z1340	FILTER 16A SCREW MOUNT	2	EA	2	6	12	
4	PSA276	AIR FILTER ASSY (PAIR)	2	EA	2	6	12	2
5	PSA288	STIRRER MOTOR ASSY (PINNED)	2	EA	1	3	6	
6	30Z1465	MICROSWITCH WITH ROLLER 402s	4	EA	4	8	16	4
7 - 9	PSA1110	SERVICE HINGE REPLACEMENT KIT (NOTE-7 BELOW)		EA	1	3	6	
8	PSA2195	MAGNETRON COOLING FAN ASSY	1	EA	1	3	6	
11	30Z0217	FUSE 1in 10A HRC	3	EA	5	15	30	3
12	PSA227	GOLD RESISTOR (220R)	1	EA	1	3	6	
13	P11K0004	MAI RELAY PCB	1	EA	1	3	6	
14	11Z0298	15 WAY 0.1 RIBBON CABLE ASSY	1	EA	1	3	6	
15	31Z0586	DC VOLTAGE CONNECTOR 10 WAY	1	EA	1	3	6	
16	P11K0002	LOGIC BOARD MAIN ASSY (V2 & v2.5) (NOTE-3 BELOW)	1	EA	1	3	6	1
16	P11K0012	402s LD LOGIC PCB ASSY (V3)	1	EA	1	3	6	1
17	PSA126	BLOCK TRANSFORMER B0012024	1	EA	2	6	12	
18	30Z0957	FUSE 1x1/4in 1A HBC (MAINS)	1	EA	1	3	6	1
19	31Z0499	CABLE GLAND NUT	1	EA	2	6	12	
19	31Z0500	CABLE GLAND LARGE	1	EA	2	6	12	
21	P30Z1349	MAGNETRON 2M248H-B (NOTE-2 BELOW)	2	EA	2	6	12	1
22	PSA234	MAG STAT WIRE ASSY (x2 PER ASSY)	1	EA	2	6	12	1
23	PSA183	402s HOT AIR MOTOR SERVICE KIT	1	EA	1	3	6	
24	30Z1315	THERMISTOR 150MM + LEAD 900MM	1	EA	1	3	6	1
28 - 70	P11M0364	VCK HT DIODE ASSEMBLY (NOTE-1 BELOW)	2	EA	2	6	12	2
28A	P11H0010	HT DIODE ASSY (NOTE-1 BELOW)	2	EA	2	6	12	2
30	31Z0477	4 WAY MAINS TERMINAL BLOCK	1	EA	2	6	12	
31	30Z1177	20 AMP LITTELFUSE FLM020	2	EA	4	12	24	2
32	30Z1178	30A FUSE HOLDER	2	EA	4	12	24	
34	30Z0231	FUSE HOLDER 1IN (13A)	4	EA	3	9	18	
35	DV0366	GREASE FILTER HOUSING V4 (EASYOUT)	1	EA	1	1	2	
35	SA339	GREASE FILTER HOUSING V2 - V3 (NOTE-5 BELOW)	1	EA	1	1	2	
35	SA340	GREASE FILTER CARTRIDGE	1	EA	1	2	4	
36	DV0666	STIRRER COVER - CERAMIC	2	EA	2	6	12	2
38	PSA2101	TOP IMPINGER PLATE S/STEEL (NOTE-4 BELOW)	1	EA	1	3	6	
39	DV0275	RACK V3	1	EA	1	3	6	
40	PSA266	IMPINGER PLATE LOWER ASSY	1	EA	1	3	6	
41	DV0187	TOP PANEL (PRESSED)	1	EA	1	3	6	
42	SA329	REAR PANEL	1	EA	1	1	2	
43	DV0091	SIDE PANEL L/H	1	EA	1	1	2	
45	DV0501	DOOR SKIN	1	EA	1	3	6	
46	DV0431	DOOR HANDLE (NOTE-6 BELOW)	1	EA	1	3	6	
48	DV0168VIT	DOOR CHOKE (PRESSED)	1	EA	1	3	6	
48	DV0504	DOOR CHOKE V1	1	EA	1	3	6	
49	31Z0186	DOOR SEAL SEALANT		TUBE	2	6	12	1
49	PSA3113	DOOR SEAL 402S	1	EA	2	6	12	1
50	DV0037	BOTTOM TRIM	1	EA	1	1	2	
51	DV0092	SIDE PANEL RH	1	EA	1	1	2	
52	PSA111	DOOR ASSEMBLY	1	EA	1	3	6	
54	30Z1318	2 POLE ROUND ROCKER SWITCH	1	EA	1	3	6	1
55 - 56	PSA273	402s CONTROL FASCIA ASSY V2 -V2.5 (NOTE-3 BELOW)	1	EA	1	3	6	
57	30Z1299	DISPLAY ASSY + HEADER V2 - V2.5 (NOTE-3 BELOW)	1	EA	1	3	6	
58	11K0005	MENU KEY SOCKET ASSY	1	EA	1	3	6	
59	PSA257	EC402s SOUNDER ASSY	1	EA	1	3	6	
60	32Z4028	COOL DOWN TRAY	2	EA	2	6	12	
65	PSA1108	CHICKEN GRIDDLE ACC PACK	1	EA	1	6	12	
66 - 67	PSA2179	DURABLE MEMBRANE ASSY	1	EA	1	3	6	
68	PSA1266	402s V3 DISPLAY & CABLE ASSY	1	EA	1	3	6	1
71	30Z1375	CRYDOM SOLID STATE RELAY	1	EA	2	6	12	
72	P11K0013	402s FIBRE OPTIC BOARD ASSY	1	EA	1	3	6	1
73	DV0039	COOLING DUCT REAR LH (NOTE-8 BELOW)	1	EA	1	3	6	
73	DV0397	CAST REAR DUCTING RH (NOTE-8 BELOW)	!	EA	1	3	6	
74	DV0040	COOLING DUCT REAR RH (NOTE-8 BELOW)	1	EA	1	3	6	
74	DV0403	CAST REAR DUCTING LH (NOTE-8 BELOW)	!	EA	1	3	6	
Not Shown	30Z1402	BUSSMANN FUSE 1.6A S505-1 6-R	1	EA	2	6	12	1
Not Numbered	31Z0239	FIBRE OPTIC CABLE	1	MT	1	2	4	
Not Shown	31Z0527	STIRRER COVER - SEALANT		TUBE	2	6	12	
Not Numbered	31Z1247	MICROSWITCH SPRING INTERLOCK	1	EA	1	3	6	
Not Shown	31Z1248	WHITE NYLON BLANK 9MM DIA (V2 - V3 OVENS)	4	EA	2	6	12	
Not Shown	31Z1259	SHEET COVER CAP 12MM DIA (V4 OVENS)	4	EA	2	6	12	
Not Shown	32Z4031	BREAD BASKET SUBWAY USA	1	EA	1	6	12	
Not Shown	DR0030	HANDLE SPACER (NOTE-6 BELOW)	2	EA	2	6	12	
Not Shown	DV0094	TOP TRIM (V1 OVEN ONLY)	1	EA	1	1	2	
Not Shown	DV0365	GREASE FILTER BOTTOM CLIP V4	1	EA	1	1	2	

Merrychef 402s - All Models

Recommended Parts List **Production Ceased - Oct 2010**

Recommended Min Stock Holding & Service List

Service Manual Exploded View	Part Number	Description	Qty Per Oven	Unit	1-10 Ovens	11-50 Ovens	51-100 Ovens	Recommended Service List
Not Shown	DV0692	SEAL - CERAMIC COVER	2	EA	2	6	12	2
Not Shown	PSA1188	IMPINGER PLATE BRACKET FIXING KIT		EA	1	1	2	
Not Shown	PSA1189	IMPINGER PLATE REPLACEMENT SCREW KIT		EA	1	1	2	
Not Numbered	PSA2183	M/SWITCH BRACKET ASSY	1	EA	2	6	12	
Not Shown	PSA291	STIRRER ASSY (PINNED)	2	EA	1	3	6	
Not Shown	PSA332	GASKET SET	1	EA	1	3	6	
Not Numbered	SA218	DISPLAY LEAD - SMALL DISPLAY	1	EA	1	3	6	
Not Numbered	SA259	DISPLAY LEAD ASSY V3	1	EA	1	1	2	
Not Shown	SA313	HOT-BOX SUB ASSY	1	EA	0	1	2	
Not Shown	SA314	CATALYST ASSY UPPER V1 - V2.5	1	EA	1	1	2	
Not Shown	SA315	CATALYST ASSY LOWER V1 - V2.5	1	EA	1	1	2	
Not Shown	SA351	CATALYST ASSY UPPER	1	EA	1	1	2	
Not Shown	SA353	CATALYST ASSY LOWER	1	EA	1	1	2	
Not Shown	SR310	PADDLE PEEL PIZZA	1	EA	1	6	12	

402s 230Volts 50Hz - UK/EU - Unique Parts

10	30Z1319	MOTOR SPEED CONTROLLER - EU	1	EA	0	1	2	
20	DV0607	HEATER ELEMENT 240V	5	EA	5	15	30	
25	30Z1332	1.05uF CAPACITOR 2500V	1	EA	1	3	6	1
26	30Z1333	1.10uF CAPACITOR 2500V	1	EA	1	3	6	1
27	P30Z1233	50Hz TRANS MULTI 220V 240V	2	EA	2	6	12	
29	PSA226	MAINS LEAD ASSY (UK) - 3 CORE	1	EA	1	1	2	
29A	PSA225	MAINS LEAD ASSY (EU) - 4-C	1	EA	1	1	2	

402s 230Volts 50Hz - AP - Unique Parts

10	30Z1319	MOTOR SPEED CONTROLLER - EU	1	EA	0	1	2	
20	DV0607	HEATER ELEMENT 240V	5	EA	5	15	30	
25	30Z1332	1.05uF CAPACITOR 2500V	1	EA	1	3	6	1
26	30Z1333	1.10uF CAPACITOR 2500V	1	EA	1	3	6	1
27	P30Z1233	50Hz TRANS MULTI 220V 240V	2	EA	2	6	12	
29	PSA226	MAINS LEAD ASSY (UK) - 3 CORE	1	EA	1	1	2	
29A	PSA225	MAINS LEAD ASSY (EU) - 4-C	1	EA	1	1	2	

402s 230Volts 50Hz - AZ - Unique Parts

10	30Z1319	MOTOR SPEED CONTROLLER - EU	1	EA	0	1	2	
20	DV0607	HEATER ELEMENT 240V	5	EA	5	15	30	
25	30Z1332	1.05uF CAPACITOR 2500V	1	EA	1	3	6	1
26	30Z1333	1.10uF CAPACITOR 2500V	1	EA	1	3	6	1
27	P30Z1233	50Hz TRANS MULTI 220V 240V	2	EA	2	6	12	
29	PSA226	MAINS LEAD ASSY (UK) - 3 CORE	1	EA	1	1	2	
Not Shown	SR216	MAINS SUPPLY LEAD GK (AZ)	1	EA	1	1	2	

402s 230Volts 50Hz - CN - Unique Parts

10	30Z1319	MOTOR SPEED CONTROLLER - EU	1	EA	0	1	2	
20	DV0607	HEATER ELEMENT 240V	5	EA	5	15	30	
25	30Z1332	1.05uF CAPACITOR 2500V	1	EA	1	3	6	1
26	30Z1333	1.10uF CAPACITOR 2500V	1	EA	1	3	6	1
27	P30Z1233	50Hz TRANS MULTI 220V 240V	2	EA	2	6	12	
Not Shown	SA2111	MAINS CABLE ASSY 1P CHINA	1	EA	1	1	2	

402s 200Volts 50Hz - JP - Unique Parts

10	30Z1319	MOTOR SPEED CONTROLLER - EU	1	EA	0	1	2	
20	DV0576	HEATER ELEMENT 208V	5	EA	5	15	30	
25	30Z1332	1.05uF CAPACITOR 2500V	1	EA	1	3	6	1
26	30Z1333	1.10uF CAPACITOR 2500V	1	EA	1	3	6	1
27	30Z1368	HT TRANSFORMER 200V 50Hz	2	EA	2	6	12	
Not Shown	SA2110	MAINS CABLE ASSY 1P 402s	1	EA	1	3	6	

402s 200Volts 50Hz - JP (SW) - Unique Parts

10	30Z1319	MOTOR SPEED CONTROLLER - EU	1	EA	0	1	2	
20	DV0576	HEATER ELEMENT 208V	5	EA	5	15	30	
25	30Z1332	1.05uF CAPACITOR 2500V	2	EA	2	6	12	2
27	30Z1368	HT TRANSFORMER 200V 50Hz	2	EA	2	6	12	
Not Shown	SA2110	MAINS CABLE ASSY 1P 402s	1	EA	1	3	6	

Merrychef 402s - All Models

Recommended Parts List **Production Ceased - Oct 2010**

Recommended Min Stock Holding & Service List

Service Manual Exploded View	Part Number	Description	Qty Per Oven	Unit	1-10 Ovens	11-50 Ovens	51-100 Ovens	Recommended Service List
------------------------------	-------------	-------------	--------------	------	------------	-------------	--------------	--------------------------

402s 230Volts 50Hz - LA - Unique Parts

10	30Z1319	MOTOR SPEED CONTROLLER - EU	1	EA	0	1	2	
20	DV0607	HEATER ELEMENT 240V	5	EA	5	15	30	
25	30Z1332	1.05uF CAPACITOR 2500V	1	EA	1	3	6	1
26	30Z1333	1.10uF CAPACITOR 2500V	1	EA	1	3	6	1
27	P30Z1233	50Hz TRANS MULTI 220V 240V	2	EA	2	6	12	
Not Shown	31Z1266	PLUG & LEAD ASSY (SUBWAY)	1	EA	1	1	2	

402s 220V 60Hz - MX - Unique Parts

10	30Z1319	MOTOR SPEED CONTROLLER - EU	1	EA	0	1	2	
20	DV0606	HEATER ELEMENT 220V	5	EA	5	15	30	
26	30Z1330	0.88uF 2500V CAPACITOR	2	EA	2	6	12	2
27	P30Z1230	60HZ TRANS MULTI 208 220 240	2	EA	2	6	12	
Not Shown	31Z1266	PLUG & LEAD ASSY (SUBWAY)	1	EA	1	1	2	

402s 220V 60Hz - PH - Unique Parts

10	30Z1319	MOTOR SPEED CONTROLLER - EU	1	EA	0	1	2	
20	DV0606	HEATER ELEMENT 220V	5	EA	5	15	30	
26	30Z1330	0.88uF 2500V CAPACITOR	2	EA	2	6	12	2
27	P30Z1230	60HZ TRANS MULTI 208 220 240	2	EA	2	6	12	
Not Shown	SA2128	MAINS CABLE ASSY - PHILIPPINES	1	EA	1	1	2	

402s 220V 60Hz - SA - Unique Parts

10	30Z1319	MOTOR SPEED CONTROLLER - EU	1	EA	0	1	2	
20	DV0606	HEATER ELEMENT 220V	5	EA	5	15	30	
26	30Z1330	0.88uF 2500V CAPACITOR	2	EA	2	6	12	2
27	P30Z1230	60HZ TRANS MULTI 208 220 240	2	EA	2	6	12	
29	PSA226	MAINS LEAD ASSY (UK) - 3 CORE	1	EA	1	1	2	
29A	PSA225	MAINS LEAD ASSY (EU) - 4-C	1	EA	1	1	2	

402s 240V 60Hz - SA - Unique Parts

10	30Z1319	MOTOR SPEED CONTROLLER - EU	1	EA	0	1	2	
20	DV0607	HEATER ELEMENT 240V	5	EA	5	15	30	
26	30Z1330	0.88uF 2500V CAPACITOR	2	EA	2	6	12	2
27	P30Z1230	60HZ TRANS MULTI 208 220 240	2	EA	2	6	12	
29	PSA226	MAINS LEAD ASSY (UK) - 3 CORE	1	EA	1	1	2	

402s 220V 60Hz - TW - Unique Parts

10	30Z1319	MOTOR SPEED CONTROLLER - EU	1	EA	0	1	2	
20	DV0606	HEATER ELEMENT 220V	5	EA	5	15	30	
26	30Z1330	0.88uF 2500V CAPACITOR	2	EA	2	6	12	2
27	P30Z1230	60HZ TRANS MULTI 208 220 240	2	EA	2	6	12	
Not Shown	SA217	MAINS LEAD ASSY (US)	1	EA	1	1	2	
Not Shown	SA2126	MAINS CABLE ASSY 4-CORE (US)	1	EA	1	1	2	

402s 208V 60Hz - USA - Unique Parts

10	30Z1293	MOTOR SPEED CONTROLLER - US	1	EA	0	1	2	
20	DV0576	HEATER ELEMENT 208V	5	EA	5	15	30	
26	30Z1330	0.88uF 2500V CAPACITOR	2	EA	2	6	12	2
27	P30Z1230	60HZ TRANS MULTI 208 220 240	2	EA	2	6	12	
Not Shown	31Z1266	PLUG & LEAD ASSY (SUBWAY)	1	EA	1	2	4	
Not Shown	SA217	MAINS LEAD ASSY (US)	1	EA	1	2	4	

Merrychef 402s - All Models

Recommended Parts List **Production Ceased - Oct 2010**

Recommended Min Stock Holding & Service List

Service Manual Exploded View	Part Number	Description	Qty Per Oven	Unit	1-10 Ovens	11-50 Ovens	51-100 Ovens	Recommended Service List
402s 240V 60Hz - USA - Unique Parts								
10	30Z1293	MOTOR SPEED CONTROLLER - US	1	EA	0	1	2	
20	DV0607	HEATER ELEMENT 240V	5	EA	5	15	30	
26	30Z1330	0.88uF 2500V CAPACITOR	2	EA	2	6	12	2
27	P30Z1230	60HZ TRANS MULTI 208 220 240	2	EA	2	6	12	
Not Shown	31Z1266	PLUG & LEAD ASSY (SUBWAY)	1	EA	1	2	4	

402s Upgrade Kits - All Models

Not Shown	PSA1107	402s V4 CONVERT TOOL		EA	0	1	2	
Not Shown	PSA1154	VIT TO S/S IMPINGER KIY UPGRADE		EA	0	1	2	
Not Shown	PSA1189	REPLACEMENT SCREW SET KIT (IMPINGER)		EA	0	1	2	
Not Shown	PSA1192	GREASE FILTER REPLACEMENT KIT e4 (SEE NOTE-5)		EA	0	1	2	
Not Shown	PSA1193	IMPINGER RESTING PLATE KIT		EA	0	1	2	
Not Shown	PSA251	402s CERAMIC COVER UPGRADE KIT		EA	0	1	2	
Not Shown	PSA252	TOOL KIT FOR SA251		EA	0	1	2	
Not Shown	PSR110	SPRING REPLACEMENT KIT e3/e4/e4s/e5 & 402s		EA	0	1	2	
Not Shown	PSR113	TWO SPRING SERVICE KIT e3/e4/e4s/e5 & 402s		EA	0	1	2	

NOTES:	NOTE-1 P11M0364 FITTED FROM SERIAL NO. 0507001848, REPLACING P11H0010
	NOTE-2 MAGNETRONS MUST ONLY BE REPLACED WITH LIKE FOR LIKE IE: 2M248H-B FITTED, ONLY REPLACE WITH THE SAME.
	NOTE-3 FITTED PRE AUGUST 2006
	NOTE-4 PSA2101 FITTED FROM SERIAL NO. 0508003318, 7 MAY 2008
	NOTE-5 TO UPGRADE a 402s TO CURRENT e4 GREASE FILTER ARRANGEMENT - PSA1192, PSA1107 & DV0365 MUST BE USED
	NOTE-6 WHEN ORDERING DV0431 - DR0030 MUST BE ORDERED ALSO
	NOTE-7 IN THE EVENT OF A BROKEN HINGE SPRING, THEN PSR110 OR PSR113 - SPRING REPLACEMENT KITS ARE AVAILABLE WITH A TOOL TO REPLACE A PAIR OR UP TO FIVE PAIRS OF SPRINGS
	NOTE-8 IN FEBRUARY 2009 COOLING DUCTS CHANGED TO DV0397 & DV0403

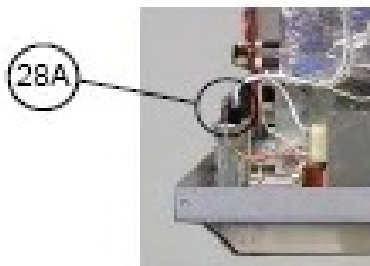
Merrychef 402s - All Models

Recommended Parts List **Production Ceased - Oct 2010**

Recommended Min Stock Holding & Service List

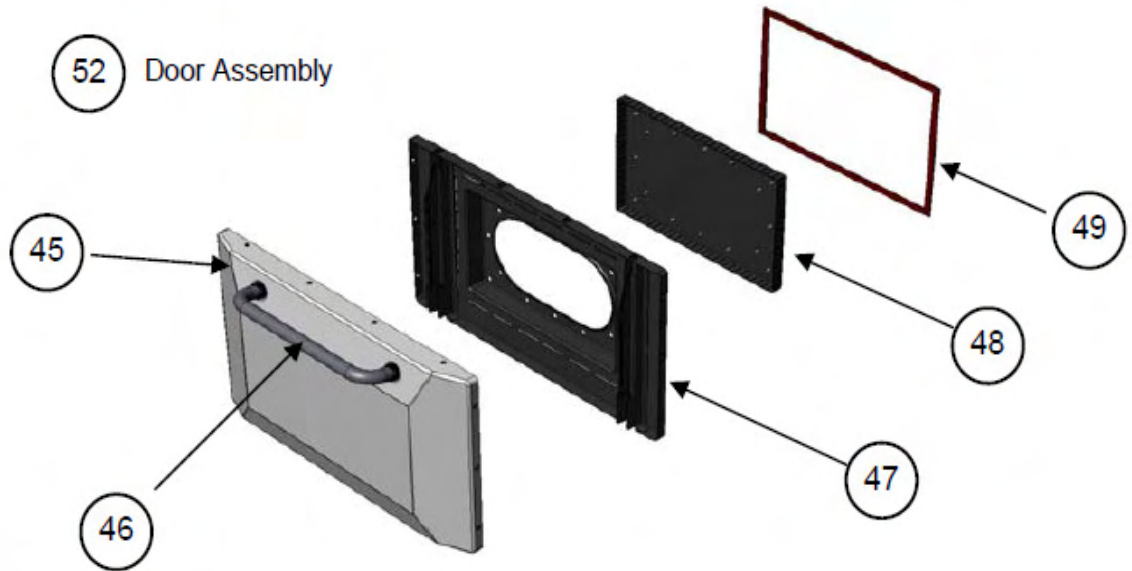
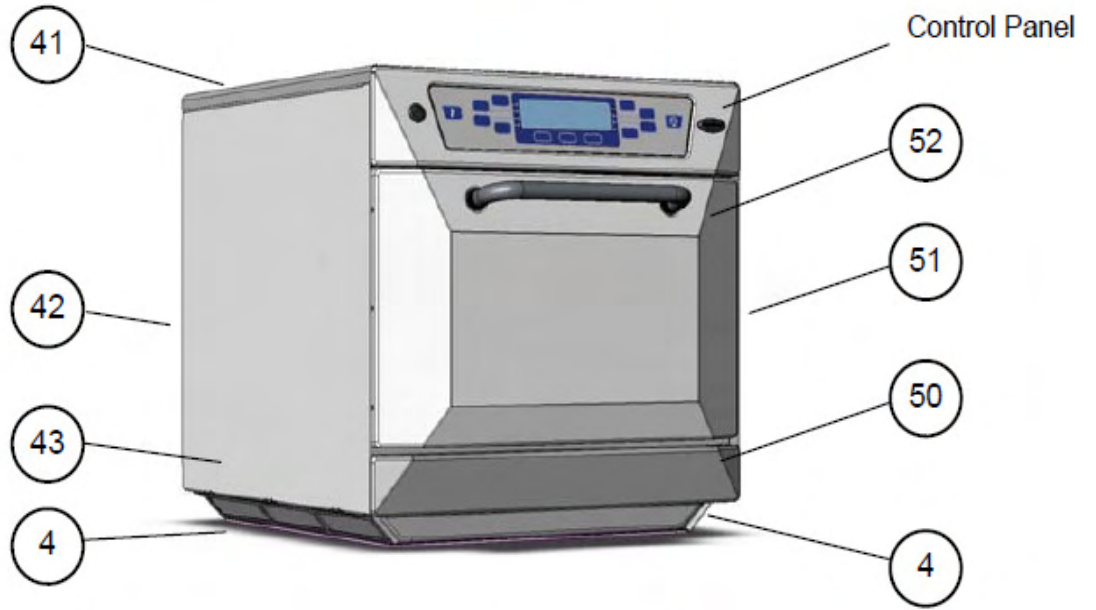
Service Manual Exploded View	Part Number	Description	Qty Per Oven	Unit	1-10 Ovens	11-50 Ovens	51-100 Ovens	Recommended Service List
------------------------------	-------------	-------------	--------------	------	------------	-------------	--------------	--------------------------

PRINCIPAL COMPONENTS: Back view

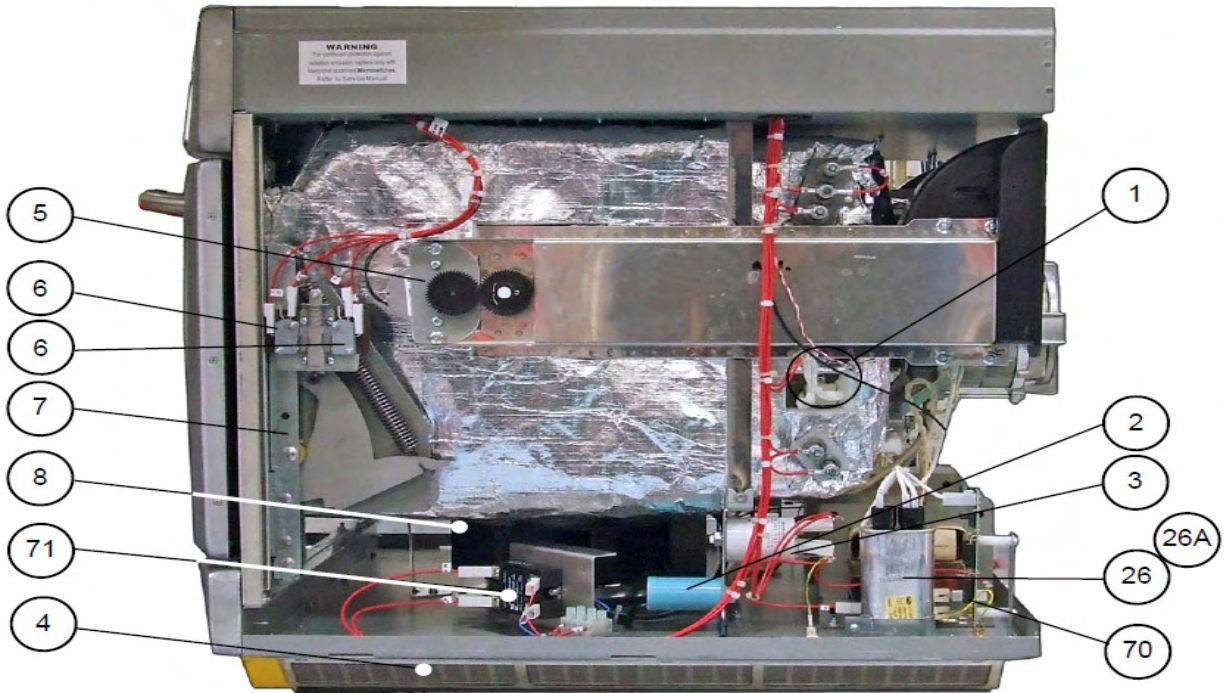


PRINCIPAL COMPONENTS

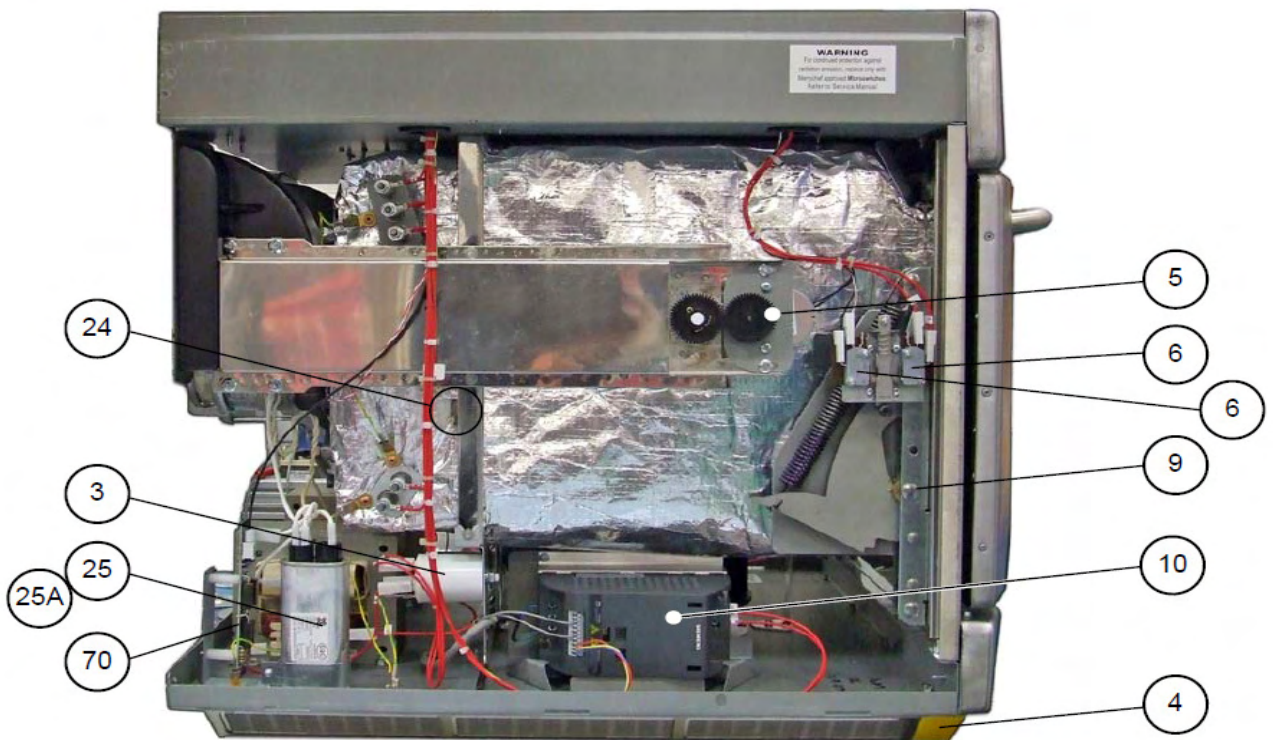
External Parts



PRINCIPAL COMPONENTS: Right Side

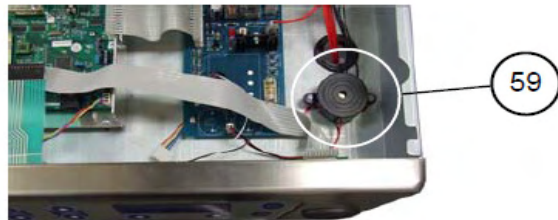
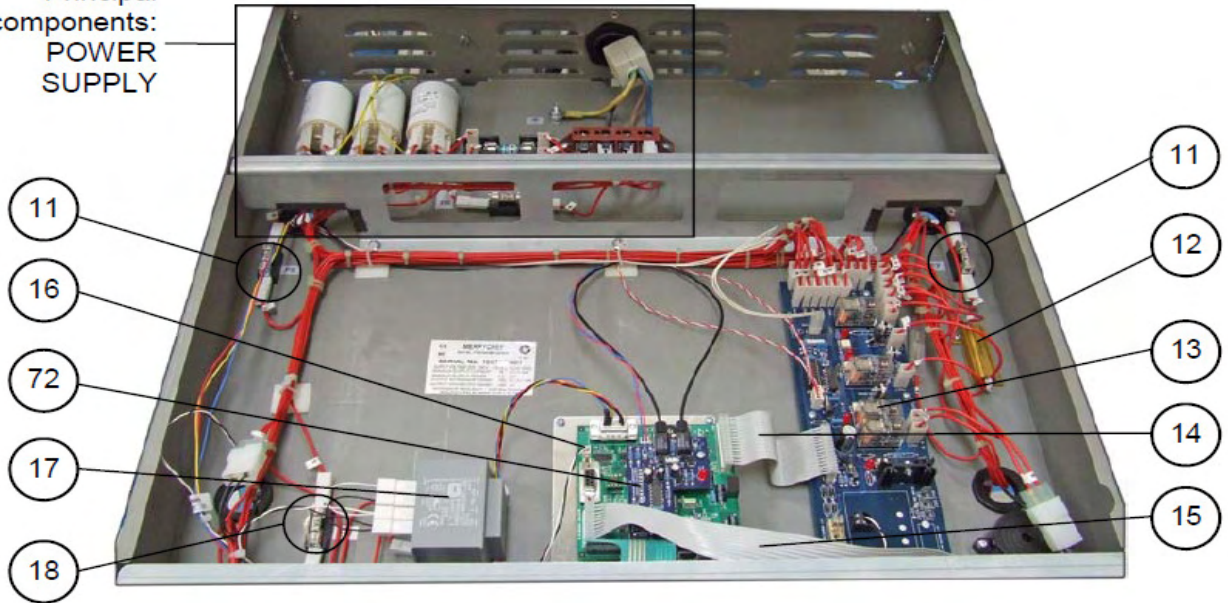


PRINCIPAL COMPONENTS: Left Side



PRINCIPAL COMPONENTS: Control Box

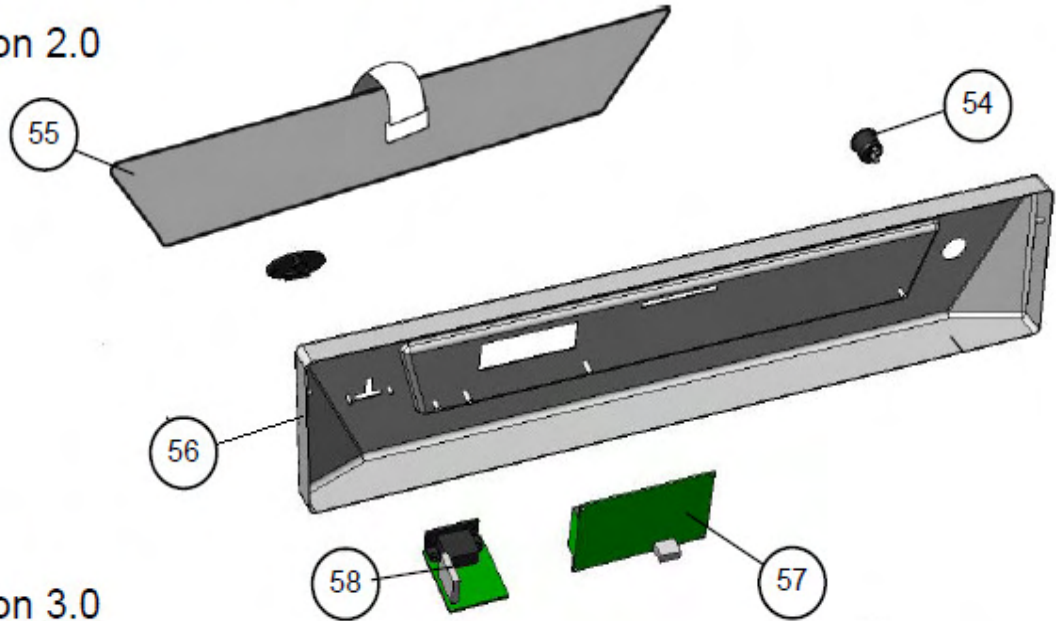
See
Principal
components:
POWER
SUPPLY



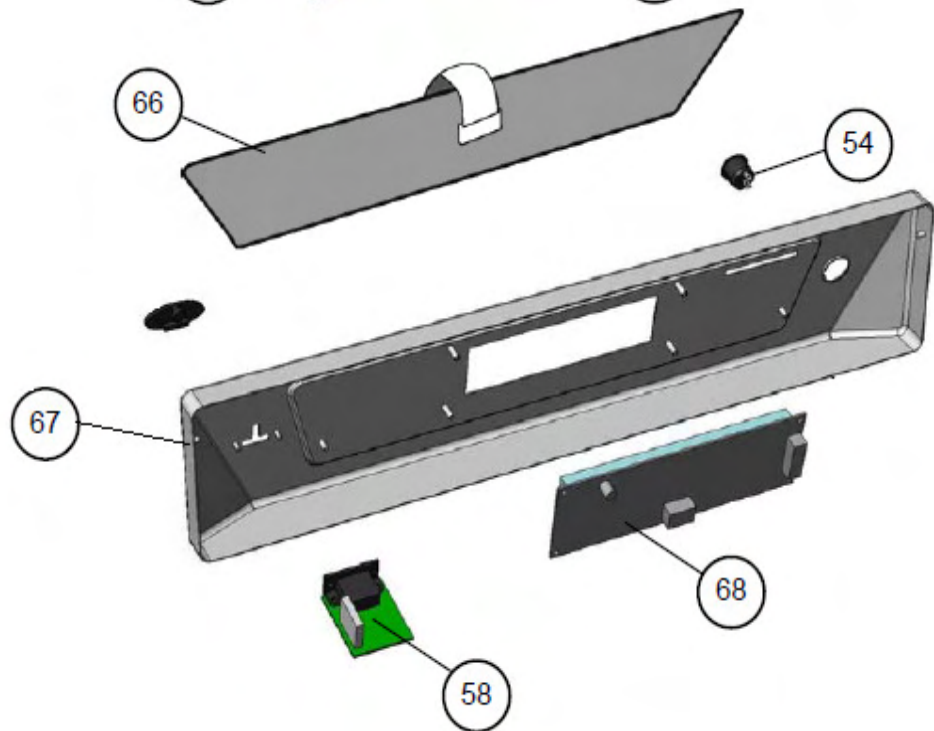
PRINCIPAL COMPONENTS

Electronic Control Panel Assembly

Version 2.0

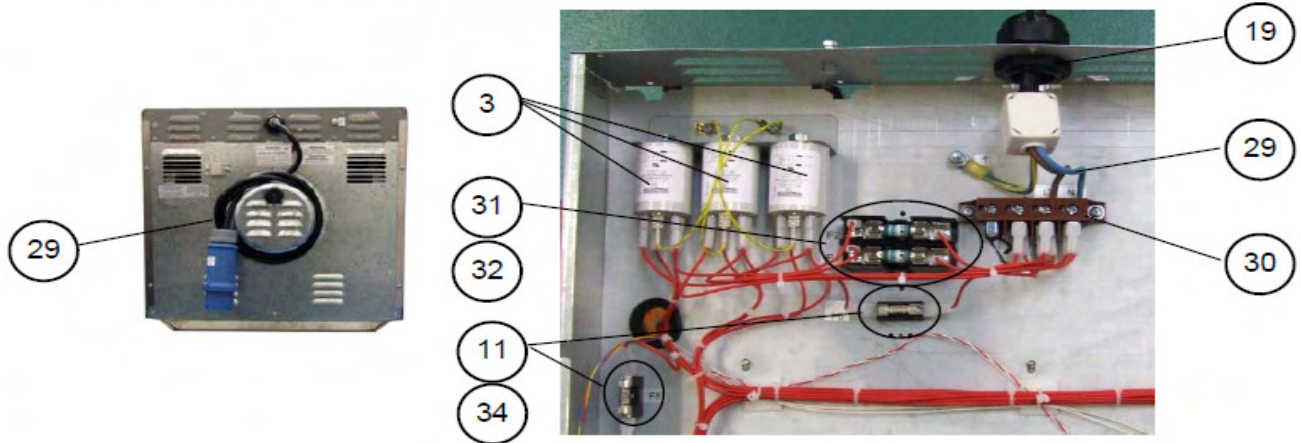


Version 3.0

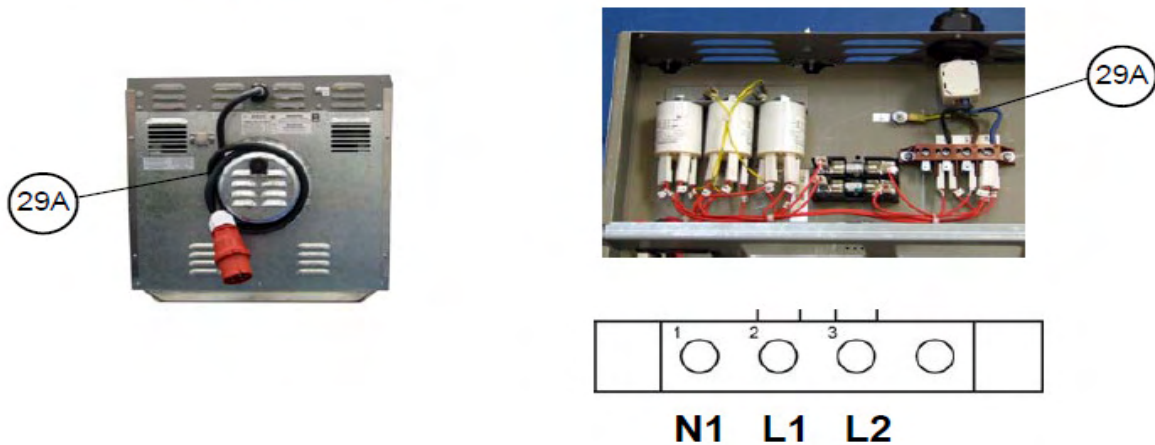


PRINCIPAL COMPONENTS: Power Supply

Electrical Supply: Single Phase

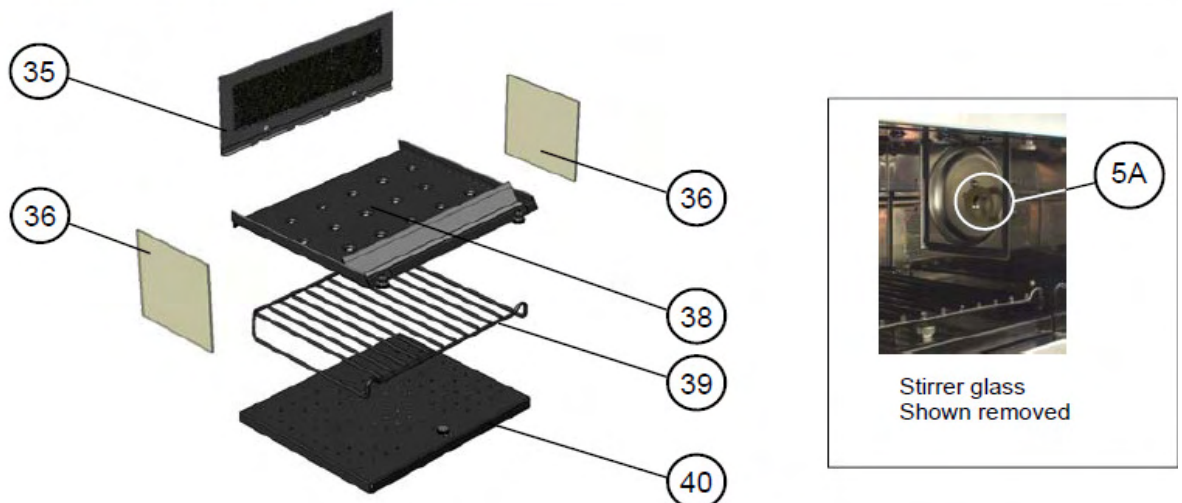


Electrical Supply: Twin phase
2P+N+Earth



PRINCIPAL COMPONENTS

Cavity



Merrychef EC/RD 501-503 Ovens

Recommended Parts List **Production Ceased - July 2010**

Recommended Min Stock Holding & Service List

Service Manual Exploded View	Part Number	Description	Qty Per Oven	Unit	1-10 Ovens	11-50 Ovens	51-100 Ovens	Recommended Service List
1 - 2 - 3	30Z0231	FUSEHOLDER 1in (13A)	3	EA	3	9	18	
1A - 2A	30Z0217	FUSE 1in 10A HRC	2	EA	2	6	12	2
3A	30Z0957	FUSE 1x1/4in 1A HBC (MAINS)	1	EA	1	3	6	1
6	31Z0149	6 WAY MAINS TERMINAL BLOCK	1	EA	1	3	6	
7 - 8	30Z1340	FILTER 16A SCREW MOUNT	4	EA	4	12	24	
9	40C1141	DOOR SPRING (LARGE) MSTREAM 501 (POST AUG 2004)	2	EA	2	6	12	2
9	520000	SPRING - R/ANGLE DOUBLE LOOP (PRE AUG 2004)	2	EA	2	6	12	2
10	P11C0279	DOOR ARM STOP ASSEMBLY (PRE 2006)	2	EA	2	6	12	
10	P11C0480	DOOR ARM STOP (HEXAGON PILLAR) (POST 2006)	2	EA	2	6	12	
11 - 14 - 17	30Z1459	MICROSWITCH V15T22-CZ300A59	3	EA	3	9	18	3
12	P11C0167	HINGE ASSEMBLY - LH - CTM2/3	1	EA	1	3	6	
13	P11C0300	DOOR ARM ASSY	2	EA	2	6	12	
16	P11C0166	HINGE ASSEMBLY - RH - CTM2/3	1	EA	1	3	6	
20	P11C0498	STEAM VENT PIPE (WRAPPED)	1	EA	1	3	6	
21	790061	STEAM VENT GUARD	1	EA	1	3	6	
22	30Z1419	THERMISTOR (OVEN TEMP SENSOR)	1	EA	1	3	6	1
23	P30Z1349	MAGNETRON 2M248H-B	2	EA	2	6	12	1
24	30Z0283	470R 50W 5% AC (GOLD RESISTOR - MAGNETRON)	2	EA	2	6	12	
29	30Z0503	SWITCH ON/OFF ROCKER DPST	1	EA	1	3	6	1
33	31Z0585	AC VOLTAGE CONNECTOR 6 WAY	1	EA	1	3	6	
34	11M0360	10 WAY LEAD ASSY WITH FERRITE	1	EA	1	3	6	
46	31Z1255	PG21 CABLE GLAND BLACK	1	EA	1	3	6	
47	31Z1256	PG21 CABLE GLAND NUT	2	EA	2	6	12	
51	790027	ROLLER SHAFT	2	EA	2	6	12	
52	40C0752	ROLLER MEALSTREAM	2	EA	2	6	12	
55	790024	BRACKET - LH HINGE - CTM2/3	1	EA	1	3	6	
56	790025	BRACKET - RH HINGE - CTM2/3	1	EA	1	3	6	
58	40C1007	STIRRER BLADE HIGH DISTRIB	1	EA	1	3	6	
58	P11C0162	STIRRER MOTOR S/ASSY WIDE DIST	1	EA	1	3	6	
60	314402	25MM FLEXIBL CONDUIT	0.32	MT	0.32	0.96	1.92	
61	31Z1275	CONDUIT 20MM FLEXIBL	0.16	MT	0.16	0.48	0.96	
62	31Z1261	CAPACITOR CLIP UNIVERSAL	2	EA	2	6	12	
67a	P790052	RED SILICON SEAL LH/RH	0.72	MT	0.72	2.16	4.32	1
71	P11C0292	CTM3 DOOR SEAL SET	1	EA	1	3	6	1
72	790007	CHOKE PLATE EC501	1	EA	1	3	6	
74	31Z5044	RFI GASKET 25.4MM X 11.51MM	2	EA	2	6	12	
76	80X7025	M5 DOME NUT S/STEEL (FOR ITEM 69 & 80)	4	EA	4	12	24	
81	40C0868	AIR FILTER PANEL - CTM3	2	EA	2	6	12	2
Not Shown	105005	M3 CAGE NUT	7	EA	7	21	42	
Not Shown	11C0303	DOOR FRAME ASSY SUB	1	EA	1	3	6	
Not Numbered	2243033	SPACER - PCB SUPPORT	5	EA	5	15	30	
Not Shown	2571016	THERMAL CUT OUT 125C (MAGNETRON)	2	EA	2	6	12	1
Not Shown	2741021	CERAMIC SHAFT (STIRRER MOTOR)	1	EA	1	3	6	
Not Shown	30Z0470	FUSE 5x20mm 1A A/S	1	EA	1	3	6	1
Not Shown	30Z1148	MOTOR START CAP 6uF	1	EA	1	3	6	
Not Shown	30Z1436	300degC OVERHEAT SAFETY STAT (OVEN)	1	EA	1	3	6	1
Not Shown	31Z0166	3 WAY TERMINAL BLOCK	1	EA	1	3	6	
Not Shown	31Z0186	DOOR SEAL SEALANT - 1 TUBE	1	TUBE	1	3	6	1
Not Shown	31Z0527	STIRRER COVER SEALANT - 1 TUBE	1	TUBE	1	3	6	1
Not Shown	31Z1150	RUBBER STOP -TYPE 18	4	EA	4	12	24	
Not Shown	31Z1187	PUSH FIT FEET	3	EA	3	9	18	
Not Shown	31Z2117	LABEL - HOT WARNING	1	EA	1	3	6	
Not Shown	40C0681	BOTTOM TRIM	1	EA	1	3	6	
Not Shown	40C0682	HEAT INSULATOR	1	EA	1	3	6	
Not Numbered	40C0685	DOOR HANDLE - CTM2/3	1	EA	1	3	6	
Not Shown	40C0850	DOOR ARM - CTM3	2	EA	2	6	12	
Not Shown	40C0942	CAVITY INSULATION SET	1	EA	1	3	6	
Not Shown	40C1113	ROOF CORNER CAP	4	EA	4	12	24	
Not Shown	40C1181	MEALSTREAM 501 LID	1	EA	1	3	6	
Not Shown	40C1182	MEALSTREAM 501 SIDE PANEL - LHS	1	EA	1	3	6	
Not Shown	40C1183	MEALSTREAM 501 SIDE PANEL - RHS	1	EA	1	3	6	
Not Shown	40C1184	EC501 LHS FRONT PILLAR	1	EA	1	3	6	
Not Shown	40C1185	EC501 RHS FRONT PILLAR	1	EA	1	3	6	
Not Shown	40C1201	WAVE TRAP - HOT AIR MOTOR (NOTE-1 BELOW)	1	EA	1	3	6	
Not Shown	40C1217	WAVE TRAP - HOT AIR MOTOR (NOTE-1 BELOW)	1	EA	1	3	6	
Not Shown	40C1243	EC503 BAFFLE PLATE - REMOVABLE	1	EA	1	3	6	
Not Numbered	40C1280	BACK PANEL	1	EA	1	3	6	
Not Numbered	790008	OUTER PANEL - CTM2/3 DOOR	1	EA	1	3	6	
Not Shown	790010	PIN - DOOR ARM PIVOT - CTM2	2	EA	2	6	12	
Not Shown	790019	CTM3 MEALSTREAM CAVITY	1	EA	1	3	6	
Not Shown	790048	WAVEGUIDE	2	EA	2	6	12	

Merrychef EC/RD 501-503 Ovens

Recommended Parts List **Production Ceased - July 2010**

Recommended Min Stock Holding & Service List

Service Manual Exploded View	Part Number	Description	Qty Per Oven	Unit	1-10 Ovens	11-50 Ovens	51-100 Ovens	Recommended Service List
Not Shown	790049	WAVEGUIDE GASKET	2	EA	2	6	12	
Not Shown	790050	WAVEGUIDE SEALING PLATE	2	EA	2	6	12	
Not Shown	790056	TWIN FAN DUCT	1	EA	1	3	6	
Not Shown	790072	REAR SHIELD	1	EA	1	3	6	
Not Shown	81W7953	CLIP HOSE SIZE 1A	1	EA	1	3	6	
Not Shown	P10C0257	STUD REPAIR KIT FOR 501 (REPAIRS ONE STUD ONLY)		EA	0	0	0	
Not Shown	P11C0301	TEMPERATURE SENSOR POCKET ASSY	1	EA	1	3	6	
Not Shown	P11C0323	RESISTOR DROP ASSY 240V	1	EA	1	3	6	
Not Numbered	P790053	RED SILICON SEAL FRONT/REAR	1.2	MT	1.2	3.6	7.2	

RD501 CD2 230Volts 50Hz - UK/EU - Unique Parts

4	30Z1178	30A FUSE HOLDER	2	EA	2	6	12	
4A	30Z1177	20 AMP LITTELFUSE FLM020	2	EA	2	6	12	2
25	P11C0266	HT DIODE PCB ASSY (EARTH+HT)	2	EA	2	6	12	2
26	30Z1331	1.00uF 2500V CAPACITOR	2	EA	2	6	12	2
27	P30Z1233	50HZ TRANS MULTI 220 240	2	EA	2	6	12	
28	P310110	DOUBLE BLOWER MOTOR ASSY	1	EA	1	1	2	
35	P11C0295	CD2 CTL MEALSTREAM RELAY PCB ASSY	1	EA	1	3	6	1
38	316030	NEON RED 240V	2	EA	2	6	12	
39	30Z0991	TIMER - MEATSTREAM CD	1	EA	1	3	6	
40	40C0892	5K LIN POT PANEL MOUNT	2	EA	2	6	12	
41	316031	NEON AMBER 240V	1	EA	1	3	6	
43	P11C0309	CD2 SUBSTRATE ASSY BLUE	1	EA	1	3	6	
44	31Z0349	PUSHBUTTON DPST MOMENTARY	1	EA	1	3	6	
45	313020	CONTROL KNOB 36mm BLACK	3	EA	3	9	18	
45	313030	D SHAFT ADAPTOR CONTROL	3	EA	3	9	18	
45	313160	CONTROL KNOB SKIRT RED	3	EA	3	9	18	
45	313220	CONTROL KNOB CAP 36mm RED	3	EA	3	9	18	
45	P11C0406	CD2 KNOB ASSEMBLY	3	EA	3	9	18	
48	P11C0302	MAINS LEAD ASSY 32A	1	EA	1	3	6	
57	P11C0161	HOT AIR MTR ASY 50HZ	1	EA	1	3	6	
60	314402	25MM FLEXIBL CONDUIT	0.32	MT	0.32	0.96	1.92	
67	P11C0163	STIRRER GLASS S/ASSY	1	EA	1	3	6	1
68	790063	HEATER ELEMENT 2.5KW CTM3 240V	1	EA	1	3	6	
69	790047	ELEMENT COVER PLATE	1	EA	1	3	6	
77	40C0864	SHELF SUPPORT CTM3 EUROPE	2	EA	2	6	12	
Not Shown	11C0216	WIRING LOOM - MERRYCHEF	1	EA	1	3	6	
Not Shown	2741023	MOTOR SHAFT - INSULATED	1	EA	1	3	6	
Not Numbered	P11C0170	DOOR ASSEMBLY - CTM2/3	1	EA	1	3	6	

EC501 CTM3 230Volts 50Hz - UK/EU - Unique Parts

4	30Z1178	30A FUSE HOLDER	2	EA	2	6	12	
4A	30Z1177	20 AMP LITTELFUSE FLM020	2	EA	2	6	12	2
25	P11C0266	HT DIODE PCB ASSY (EARTH+HT)	2	EA	2	6	12	2
26	30Z1331	1.00uF 2500V CAPACITOR	2	EA	2	6	12	2
27	P30Z1233	50HZ TRANS MULTI 220 240	2	EA	2	6	12	
28	P310110	DOUBLE BLOWER MOTOR ASSY	1	EA	1	1	2	
30	P11C0310	MEMBRANE ASSY BLUE	1	EA	1	3	6	
31	P11C0291	MEALSTREAM 501 LOGIC PCB ASSY	1	EA	1	3	6	1
32	P11C0403	RELAY PCB ASSEMBLY - 240V	1	EA	1	3	6	1
48	P11C0302	MAINS LEAD ASSY 32A	1	EA	1	3	6	
57	P11C0161	HOT AIR MTR ASY 50HZ	1	EA	1	3	6	
67	P11C0163	STIRRER GLASS S/ASSY	1	EA	1	3	6	1
68	790063	HEATER ELEMENT 2.5KW CTM3 240V	1	EA	1	3	6	
69	790047	ELEMENT COVER PLATE	1	EA	1	3	6	
77	40C0864	SHELF SUPPORT CTM3 EUROPE	2	EA	2	6	12	
Not Shown	11C0216	WIRING LOOM - MERRYCHEF	1	EA	1	3	6	
Not Shown	2741023	MOTOR SHAFT - INSULATED	1	EA	1	3	6	
Not Numbered	P11C0170	DOOR ASSEMBLY - CTM2/3	1	EA	1	3	6	

Merrychef EC/RD 501-503 Ovens

Recommended Parts List **Production Ceased - July 2010**

Recommended Min Stock Holding & Service List

Service Manual Exploded View	Part Number	Description	Qty Per Oven	Unit	1-10 Ovens	11-50 Ovens	51-100 Ovens	Recommended Service List
EC501 CTM5 230Volts 50Hz - UK/EU - Unique Parts								
4	30Z1178	30A FUSE HOLDER	2	EA	2	6	12	
4A	30Z1177	20 AMP LITTELFUSE FLM020	2	EA	2	6	12	2
25	P11C0266	HT DIODE PCB ASSY (EARTH+HT)	2	EA	2	6	12	2
26	30Z1331	1.00uF 2500V CAPACITOR	2	EA	2	6	12	2
27	P30Z1233	50HZ TRANS MULTI 220 240	2	EA	2	6	12	
28	P310110	DOUBLE BLOWER MOTOR ASSY	1	EA	1	1	2	
30	P11C0310	MEMBRANE ASSY BLUE	1	EA	1	3	6	
30	P11C0438	MEMBRANE ASSY BLUE MK	1	EA	1	3	6	
31	P11C0377	MEALSTREAM 501 LOGIC PCB ASSY MENUKEY	1	EA	1	3	6	1
32	P11C0403	RELAY PCB ASSEMBLY - 240V	1	EA	1	3	6	1
48	P11C0302	MAINS LEAD ASSY 32A	1	EA	1	3	6	
57	P10C0192	HOT AIR MOTOR ASSY CERAMIC	1	EA	1	3	6	
67	P11C0163	STIRRER GLASS S/ASSY	1	EA	1	3	6	1
68	40C0948	HEATER ELEMENT 3.0 KW 240V	1	EA	1	3	6	
69	790047	ELEMENT COVER PLATE	1	EA	1	3	6	
73	P10C0148	MENUKEY ASSY	1	EA	1	3	6	
77	40C0864	SHELF SUPPORT CTM3 EUROPE	2	EA	2	6	12	
78	P10C0236	EC501/3 IMPELLOR + SET SCREW	1	EA	1	3	6	
Not Shown	11C0216	WIRING LOOM - MERRYCHEF	1	EA	1	3	6	
Not Shown	2747048	MOTOR SPACER BOARD - CAVITY	1	EA	1	3	6	
Not Shown	30Z1164	39R 50W 5% WW (GOLD RESISTOR - MOTOR)	1	EA	1	3	6	
Not Shown	30Z1165	50R 50W 5% WW (GOLD RESISTOR - MOTOR)	1	EA	1	3	6	
Not Numbered	P11C0170	DOOR ASSEMBLY - CTM2/3	1	EA	1	3	6	

EC503 CTM5 230Volts 50Hz - UK/EU - Unique Parts								
4	30Z1178	30A FUSE HOLDER	2	EA	2	6	12	
4A	30Z1177	20 AMP LITTELFUSE FLM020	2	EA	2	6	12	2
25	P11C0266	HT DIODE PCB ASSY (EARTH+HT)	2	EA	2	6	12	2
26	30Z1331	1.00uF 2500V CAPACITOR	2	EA	2	6	12	2
27	P30Z1233	50HZ TRANS MULTI 220 240	2	EA	2	6	12	
28	P310110	DOUBLE BLOWER MOTOR ASSY	1	EA	1	1	2	
30	P11C0310	MEMBRANE ASSY BLUE	1	EA	1	3	6	
30	P11C0438	MEMBRANE ASSY BLUE MK	1	EA	1	3	6	
31	P11C0377	MEALSTREAM 501 LOGIC PCB ASSY MENUKEY	1	EA	1	3	6	1
32	P11C0403	RELAY PCB ASSEMBLY - 240V	1	EA	1	3	6	1
48	P11C0302	MAINS LEAD ASSY 32A	1	EA	1	3	6	
57	P10C0192	HOT AIR MOTOR ASSY CERAMIC	1	EA	1	3	6	
67	P11C0163	STIRRER GLASS S/ASSY	1	EA	1	3	6	1
68	40C0948	HEATER ELEMENT 3.0 KW 240V	1	EA	1	3	6	
73	P10C0148	MENUKEY ASSY	1	EA	1	3	6	
77	40C0864	SHELF SUPPORT CTM3 EUROPE	2	EA	2	6	12	
78	P10C0236	EC501/3 IMPELLOR + SET SCREW	1	EA	1	3	6	
80	40C1243	EC503 BAFFLE PLATE REMOVABLE	1	EA	1	3	6	
83	40C1242	EC503 CAT COVER REMOVABLE	1	EA	1	3	6	
Not Shown	11C0216	WIRING LOOM - MERRYCHEF	1	EA	1	3	6	
Not Shown	2747048	MOTOR SPACER BOARD - CAVITY	1	EA	1	3	6	
Not Shown	30Z1164	39R 50W 5% WW (GOLD RESISTOR - MOTOR)	1	EA	1	3	6	
Not Shown	30Z1165	50R 50W 5% WW (GOLD RESISTOR - MOTOR)	1	EA	1	3	6	
Not Shown	DX0146	SCREW CAT COVER e3	4	EA	4	12	24	
Not Numbered	P11C0170	DOOR ASSEMBLY - CTM2/3	1	EA	1	3	6	
Not Shown	P11C0493	EC503 REMOVABLE CATALYST ASSY	1	EA	1	3	6	

Merrychef EC/RD 501-503 Ovens

Recommended Parts List **Production Ceased - July 2010**

Recommended Min Stock Holding & Service List

Service Manual Exploded View	Part Number	Description	Qty Per Oven	Unit	1-10 Ovens	11-50 Ovens	51-100 Ovens	Recommended Service List
EC501 230Volts 60Hz - USA - Unique Parts								
4	30Z1178	30A FUSE HOLDER	4	EA	4	12	24	
4A	30Z1177	20 AMP LITTELFUSE FLM020	4	EA	4	12	24	4
25	P11C0489	HT DIODE + LED PCB ASSY	2	EA	2	6	12	2
26	30Z1330	0.88uF 2500V CAPACITOR	2	EA	2	6	12	2
27	P30Z1230	60HZ TRANS MULTI 220 240	2	EA	2	6	12	
28	30Z1145	DOUBLE BLOWER MOTOR 208V 60HZ	1	EA	1	3	6	
30	P11C0379	MEAL 501 MEMBRANE PANEL ASSY MK	1	EA	1	3	6	
31	P11C0377	MEALSTREAM 501 LOGIC PCB ASSY MENUKEY	1	EA	1	3	6	1
32	P11C0402	RELAY PCB ASSEMBLY - 208V	1	EA	1	3	6	1
48	11C0320	MAINS LEAD ASSY 3 CORE US	1	EA	1	3	6	
57	P10C0192	HOT AIR MOTOR ASSY CERAMIC	1	EA	1	3	6	
67	P11C0319	STIRRER GLASS S/ASSY US	1	EA	1	3	6	1
68a	40C0949	HEATER ELEMENT 3.0 KW 208V	1	EA	1	3	6	
73	P10C0148	MENUKEY ASSY	1	EA	1	3	6	
77	40C0950	SHELF SUPPORT CTM3 US	2	EA	2	6	12	
78	P10C0236	EC501/3 IMPELLOR + SET SCREW	1	EA	1	3	6	
Not Shown	11C0488	WIRING LOOM - MERRYCHEF USA	1	EA	1	3	6	
Not Shown	2747048	MOTOR SPACER BOARD - CAVITY	1	EA	1	3	6	
Not Shown	30Z1164	39R 50W 5% WW (GOLD RESISTOR - MOTOR)	1	EA	1	3	6	
Not Shown	30Z1165	50R 50W 5% WW (GOLD RESISTOR - MOTOR)	1	EA	1	3	6	
Not Shown	32Z1052	ADJUSTABLE FOOT FOR US	4	EA	4	12	24	
Not Shown	40C1011	VITREOUS RACK US MEALSTREAM	1	EA	1	3	6	
Not Shown	DX0146	SCREW CAT COVER e3	4	EA	4	12	24	
Not Numbered	P11C0170	DOOR ASSEMBLY - CTM2/3	1	EA	1	3	6	
Not Shown	P11C0493	EC503 REMOVABLE CATALYST ASSY	1	EA	1	3	6	

EC501 230Volts 60Hz - USA - Tim Horton's - Unique Parts

4	30Z1178	30A FUSE HOLDER	4	EA	4	12	24	
4A	30Z1177	20 AMP LITTELFUSE FLM020	4	EA	4	12	24	4
25	P11C0489	HT DIODE + LED PCB ASSY	2	EA	2	6	12	2
26	30Z1330	0.88uF 2500V CAPACITOR	2	EA	2	6	12	2
27	P30Z1230	60HZ TRANS MULTI 220 240	2	EA	2	6	12	
28	30Z1145	DOUBLE BLOWER MOTOR 208V 60HZ	1	EA	1	3	6	
30	P11C0412	TH MEMBRANE ASSY-ENGLISH	1	EA	1	3	6	
30	P11C0413	TH MEMBRANE ASSY-FRENCH	1	EA	1	3	6	
31	P11C0411	MEAL 501 LOGIC TH 1/4	1	EA	1	3	6	1
32	P11C0402	RELAY PCB ASSEMBLY - 208V	1	EA	1	3	6	1
48	11C0491	MAINS LEAD ASSY 3 CORE US	1	EA	1	3	6	
57	P10C0192	HOT AIR MOTOR ASSY CERAMIC	1	EA	1	3	6	
67	P11C0319	STIRRER GLASS S/ASSY US	1	EA	1	3	6	1
68a	40C0949	HEATER ELEMENT 3.0 KW 208V	1	EA	1	3	6	
73	P10C0148	MENUKEY ASSY	1	EA	1	3	6	
77	40C0950	SHELF SUPPORT CTM3 US	2	EA	2	6	12	
78	P10C0236	EC501/3 IMPELLOR + SET SCREW	1	EA	1	3	6	
Not Shown	104054	M6 x 20 MUDGUARD WASHER	2	EA	2	6	12	
Not Shown	11C0488	WIRING LOOM - MERRYCHEF USA	1	EA	1	3	6	
Not Shown	2747048	MOTOR SPACER BOARD - CAVITY	1	EA	1	3	6	
Not Shown	30Z1164	39R 50W 5% WW (GOLD RESISTOR - MOTOR)	1	EA	1	3	6	
Not Shown	30Z1165	50R 50W 5% WW (GOLD RESISTOR - MOTOR)	1	EA	1	3	6	
Not Shown	31Z3170	M6 x 16 HEX HD SS	2	EA	2	6	12	
Not Shown	32Z1052	ADJUSTABLE FOOT FOR US	4	EA	4	12	24	
Not Shown	40C1011	VITREOUS RACK US MEALSTREAM	1	EA	1	3	6	
Not Shown	40C1085	TIM HORTONS PRESSED NAME	1	EA	1	3	6	
Not Shown	40C1086	TIM HORTONS OUTER DOOR COVER	1	EA	1	3	6	
Not Shown	40C1087	TIM HORTONS NAMEPLATE BACK	1	EA	1	3	6	
Not Shown	40C1305	DOOR HANDLE 500 SERIES	1	EA	1	3	6	
Not Shown	DX0146	SCREW CAT COVER e3	4	EA	4	12	24	
Not Shown	P11C0332	CONTROL PANEL ASSY US - TIM HORTON	1	EA	1	3	6	
Not Shown	P11C0493	EC503 REMOVABLE CATALYST ASSY	1	EA	1	3	6	

NOTES: **NOTE-1** 40C1217 USED ON POST SEPT 2004 OVENS, FOR PRE SEPT 2004 OVEN USE40C1201

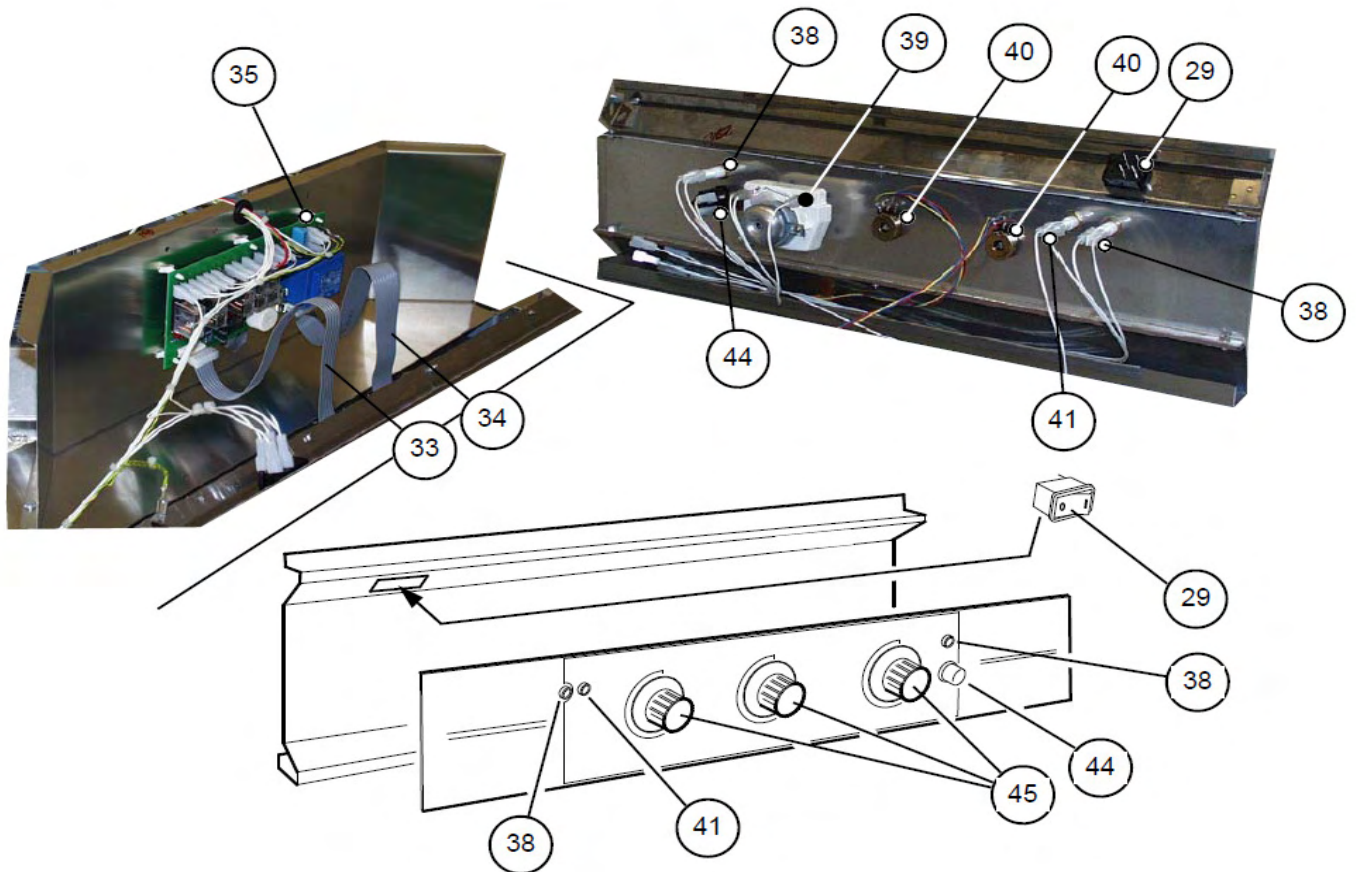
Merrychef EC/RD 501-503 Ovens

Recommended Parts List **Production Ceased - July 2010**

Recommended Min Stock Holding & Service List

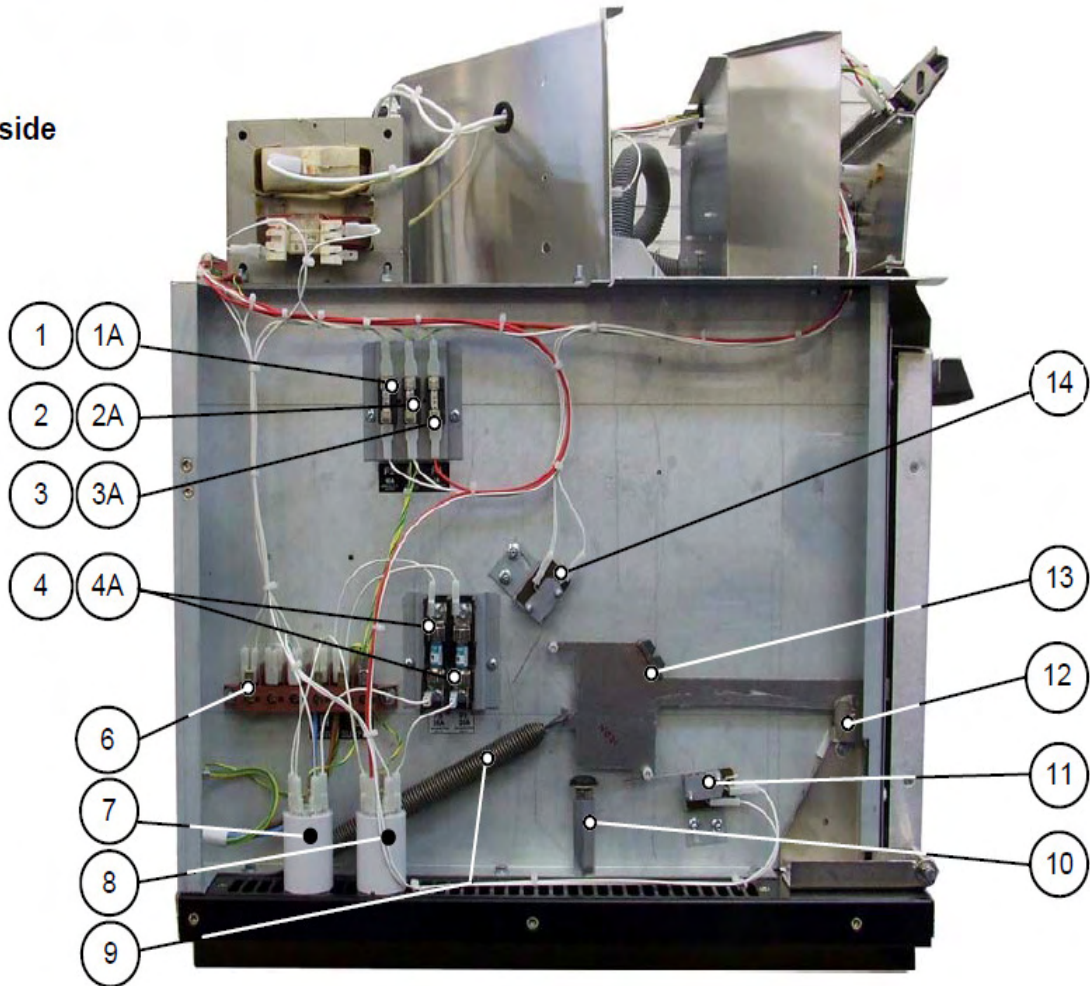
Service Manual Exploded View	Part Number	Description	Qty Per Oven	Unit	1-10 Ovens	11-50 Ovens	51-100 Ovens	Recommended Service List
------------------------------	-------------	-------------	--------------	------	------------	-------------	--------------	--------------------------

Manual control panel assembly: RD501

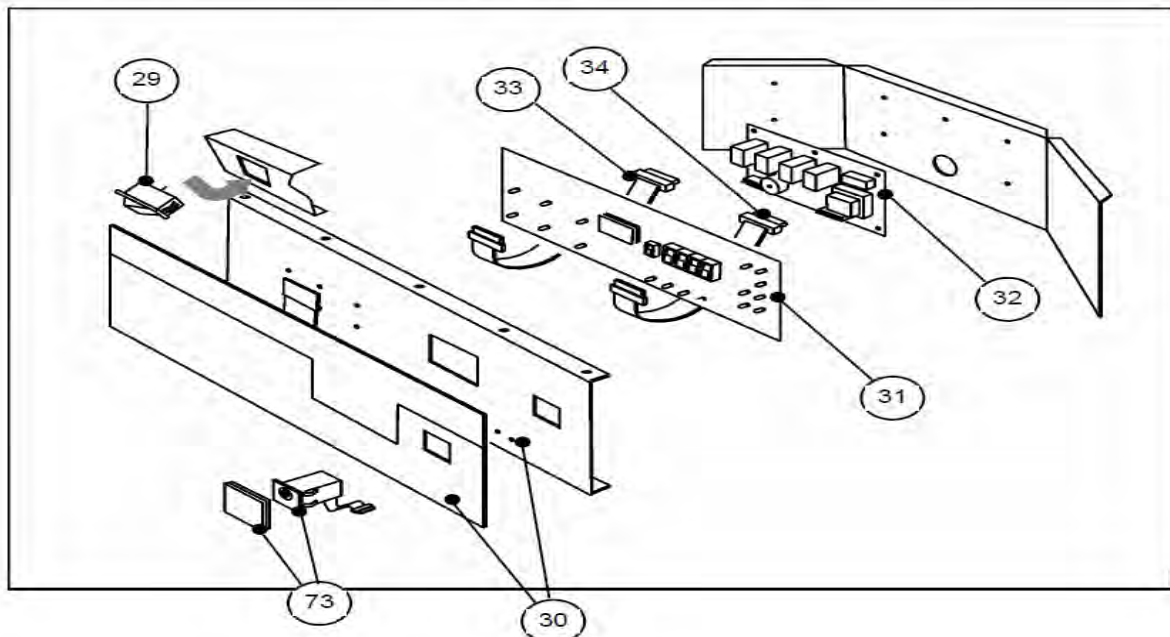


Principle components:

Left side

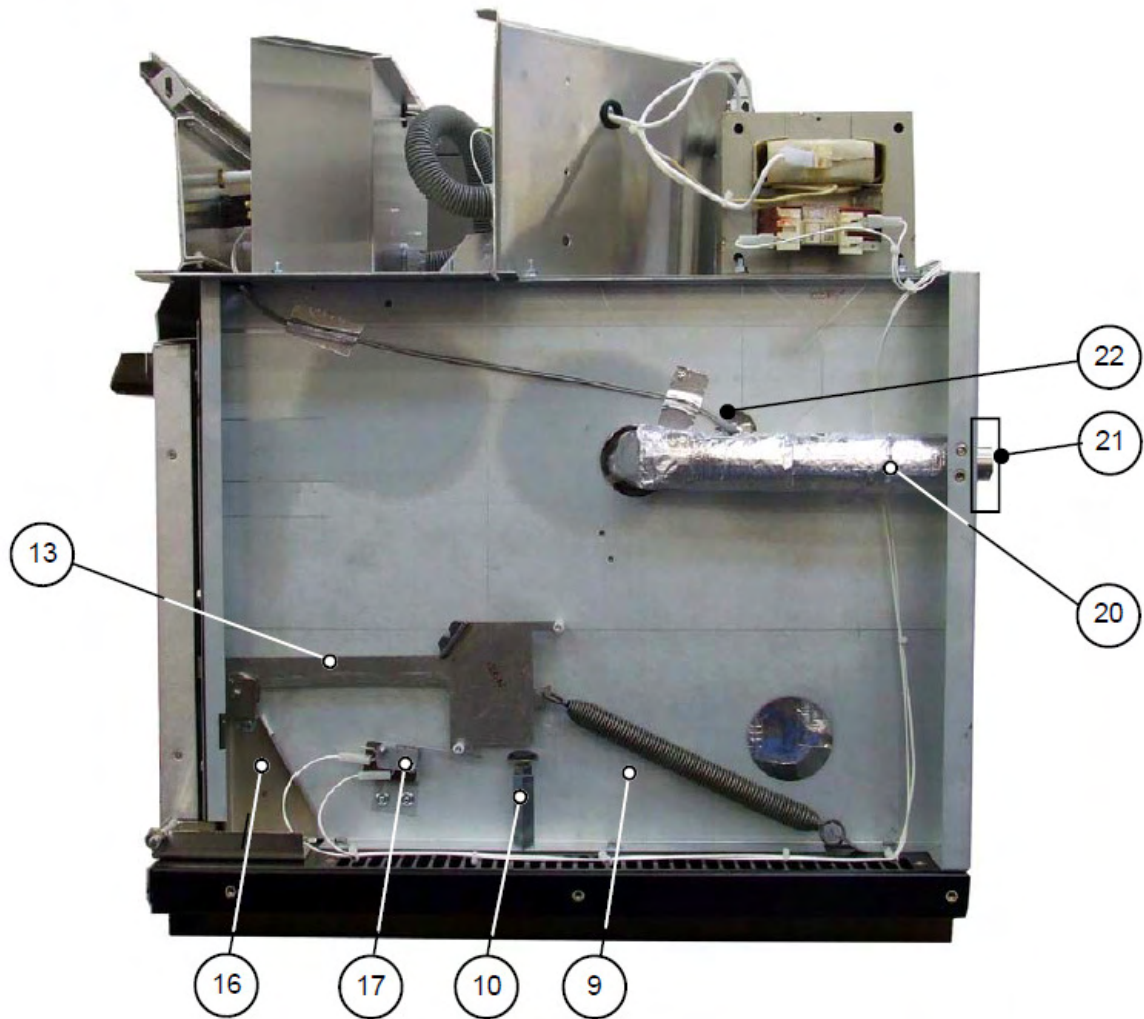


Electronic control panel assembly: EC501, EC502 & EC503



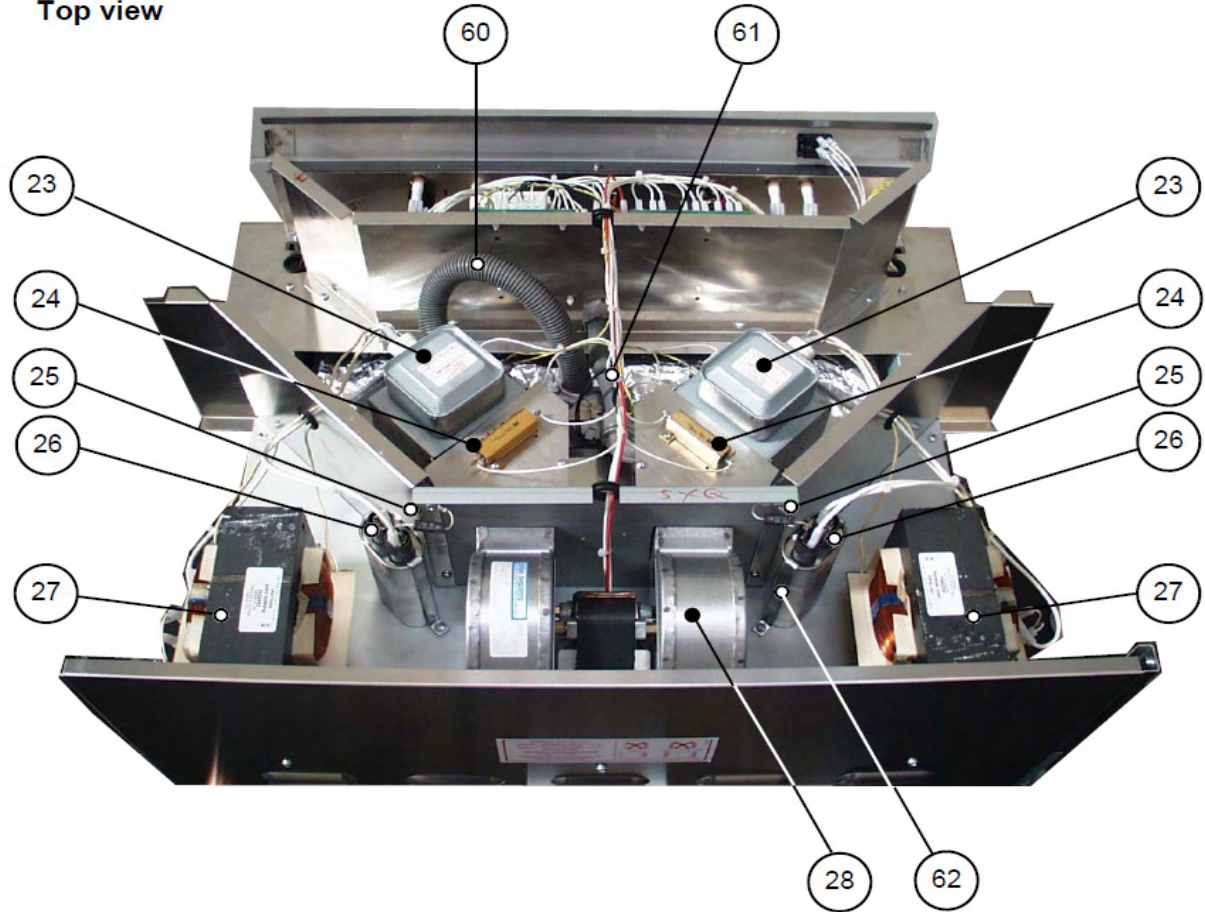
Principle components:

Right side



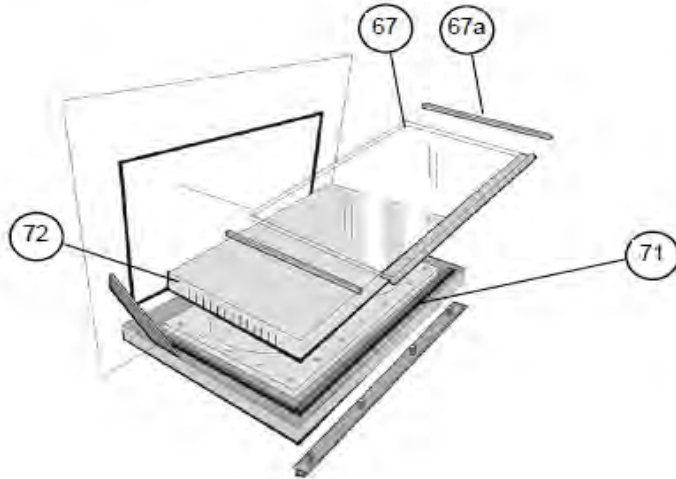
Principle components:

Top view

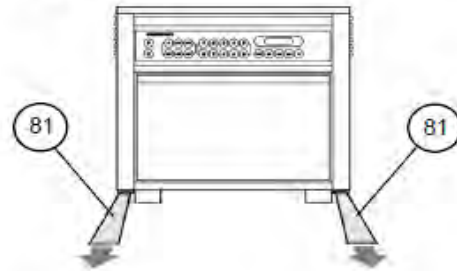


Principle components:

Door & cavity roof



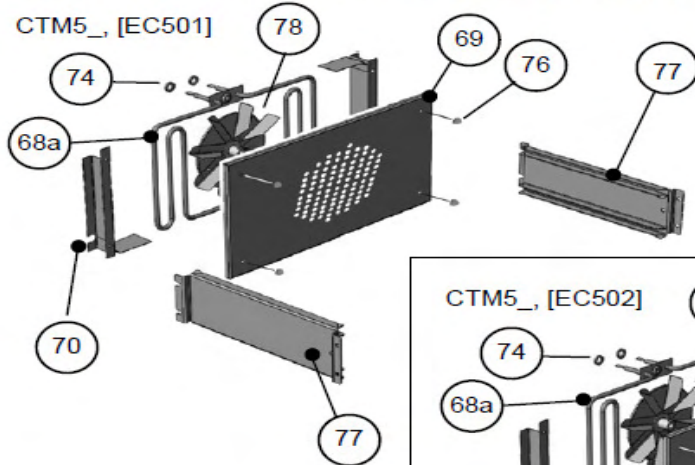
Air Filters



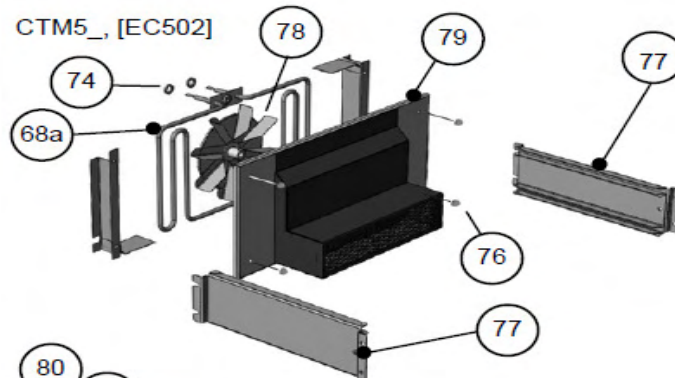
Principle components:

Heater Element, Catalytic Converter & Cavity parts:

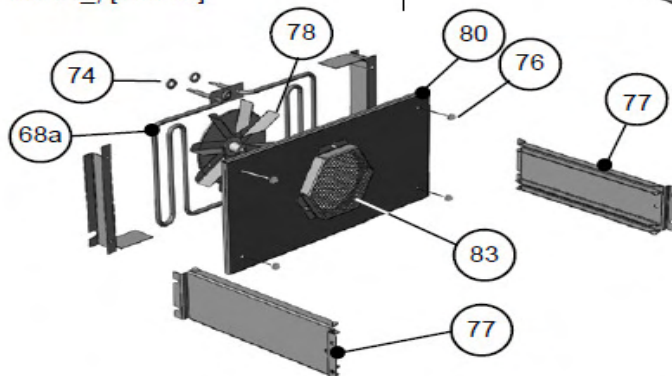
CTM5_, [EC501]



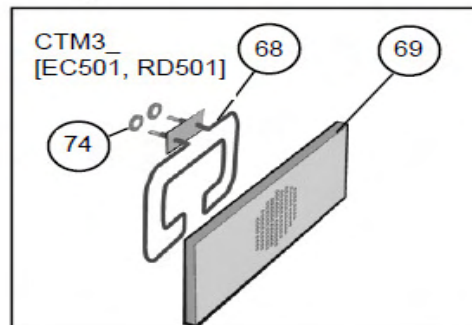
CTM5_, [EC502]



CTM5_, [EC503]

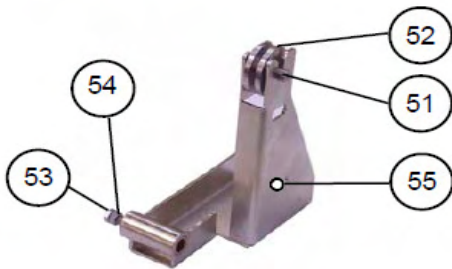


CTM3_ [EC501, RD501]

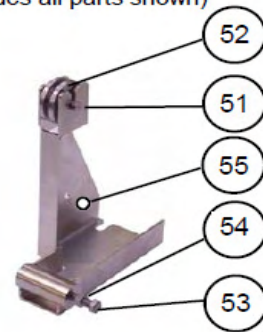


Principle components: (not shown in main views)

12 Left Hand Door Hinge Assembly
(Includes all parts shown)



16 Right Hand Door Hinge Assembly
(Includes all parts shown)

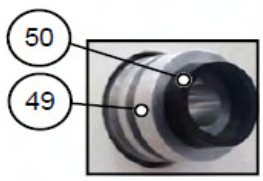


57 Hot air motor: Low Speed

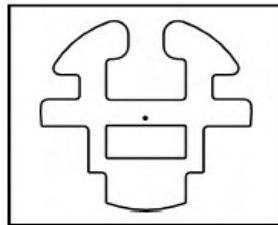


57 Hot air motor: High Speed

Motor shaft screen and seal assembly



58 Stirrer motor assembly



Merrychef EC504 CTM5 NGO THV2 - 208 Volts 60HZ - CANADA

Recommended Parts List **Production Ceased - Oct 2010**

Recommended Min Stock Holding & Service List

Service Manual Exploded View	Part Number	Description	Qty Per Oven	Unit	1-5 Ovens	5-50 Ovens	50-100 Ovens	Recommended Service List
1	P30Z1230	60HZ TRANS MULTI 208 220 240	2	EA	2	2	4	
2	30Z1340	FILTER 16A SCREW MOUNT	4	EA	4	12	24	
4	30Z1178	30A FUSE HOLDER	2	EA	2	6	12	
5	30Z1177	20 AMP LITTELFUSE FLM020	2	EA	2	6	12	2
6	31Z0477	4 WAY MAINS TERMINAL BLOCK	1	EA	1	3	6	
7	30Z1395	MICROSWITCH BUTTON PLUNGER	1	EA	1	1	2	1
8	40C1141	DOOR SPRING(LARGE) MSTREAM 501	2	EA	2	6	12	2
9	30Z1495	VOLTAGE SWITCH RELAY	3	EA	3	3	6	
10 - 18	30Z1396	MICROSWITCH SHORT LEVER ARM	2	EA	2	2	4	2
12	P11C0520	DOOR ARM ASSY	2	EA	2	6	12	
13	P11C0167	HINGE ASSEMBLY - LH - CTM2/3	1	EA	1	3	6	
14	P11C0480	DOOR ARM STOP	2	EA	2	6	12	
15	P11C0166	HINGE ASSEMBLY - RH - CTM2/3	1	EA	1	3	6	
16	30Z1419	THERMISTOR	1	EA	1	3	6	1
17	790046	STEAM VENT PIPE NON PLATED	1	EA	1	3	6	
20	2571016	THERMAL CUT OUT 125C (MAGNETRON)	2	EA	2	6	12	1
21	P30Z1349	MAGNETRON 2M248H-B	2	EA	2	2	4	1
22	P11M0367	VCK HT DIODE ASSEMBLY	2	EA	2	6	12	2
23	30Z0217	FUSE 1in 10A HRC	2	EA	2	6	12	2
24	30Z0231	FUSEHOLDER 1in (13A)	3	EA	3	9	18	
25	30Z1330	0.88uF2500V CAPACITOR	2	EA	2	2	4	2
26	31Z1261	CAPACITOR CLIP UNIVERSAL	2	EA	2	2	4	
27	30Z1375	CRYDOM RELAY (MAG COOLING FAN)	1	EA	1	1	2	
28	30Z0235	220R 50W 5% WW GOLD RESISTOR (MAG COOLING FAN)	2	EA	2	6	12	
28	30Z1164	39R 50W 5% WW GOLD RESISTOR (MAG COOLING FAN)	1	EA	1	3	6	
29	30Z1401	STARTER CAP 1uF (MAG COOLING FAN)	1	EA	1	1	2	
30	30Z1397	THV2 MAG COOLING FAN	1	EA	1	1	2	
31	30Z1436	300degC OVERHEAT SAFETY STAT (OVEN)	1	EA	1	3	6	1
32	P10C0192	HOT AIR MOTOR ASSY CERAMIC	1	EA	1	3	6	
33	30Z1148	MOTOR START CAP 6uF (HOT AIR MOTOR)	1	EA	1	3	6	
34	31Z0499	CABLE GLAND NUT	1	EA	1	3	6	
35	31Z0500	CABLE GLAND LARGE	1	EA	1	3	6	
36	40C1353	3 COIL DUALHEATER ELEMENT 3.0 KW 208V	1	EA	1	3	6	
37	P10C0236	EC501/3 IMPELLOR + SET SCREW	1	EA	1	3	6	
38	P11C0540	CATALITIC CONVERTOR ASSY	2	EA	2	6	12	
39	40C1249	THV2 ELEMENT COVER PLATE	1	EA	1	3	6	
40	40C1112	TIM HORTONS RACK SUPPORT	2	EA	2	2	4	
41	DX0146	SCREW CAT COVER	4	EA	4	12	24	
42	31Z4035	M6 SLOTTED KNURLED SCREW	4	EA	4	12	24	
43	30Z0503	SWITCH ON/OFF ROCKER DPST	1	EA	1	3	6	1
44	P11C0511	DISPLAY ADAPTOR	1	EA	1	3	6	1
45	30Z1207	FUSE 1in 3A HBC	1	EA	1	3	6	1
47	P11C0513	ETHERNET COMMS PCB	1	EA	1	3	6	1
48	P11K0026	AUTOVOLTAGE & FREQ DETCT PCB	1	EA	1	3	6	1
49	P11C0547	THV2 LOGIC PCB ASSY	1	EA	1	3	6	1
49A	P11K0013	402s FIBRE OPTIC BOARD ASSY	1	EA	1	3	6	1
50	P11C0512	RELAY PCB ASSEMBLY - NGO	1	EA	1	3	6	1
51	790027	ROLLER SHAFT	2	EA	2	6	12	
52	40C0752	ROLLER MEALSTREAM	2	EA	2	2	4	
55	790024	BRACKET - LH HINGE - CTM2/3	1	EA	1	3	6	
56	790025	BRACKET - RH HINGE - CTM2/3	1	EA	1	3	6	
58	P11C0535	THV2 STIRRER MTR & MOUNT ASSY	1	EA	1	3	6	
59	P11C0537	THV2 STIRRER GEAR & SHAFT ASSY	1	EA	1	3	6	
67	P11C0319	STIRRER GLASS S/ASSY US SPEC	1	EA	1	3	6	1
69	40C1007	STIRRER BLADE HIGH DISTRIB	1	EA	1	3	6	
71	P11C0292	CTM3 DOOR SEAL SET	1	EA	1	3	6	1
72	790007	CHOKE PLATE EC501	1	EA	1	3	6	
73	31Z1218	MENUKEY KEY HOLE COVER	1	EA	1	3	6	
74	11K0005	EC402S MENUKEY MODULE ASSY	1	EA	1	3	6	
76	DV0431	DOOR HANDLE402s SERIES	1	EA	1	3	6	
86	P790052	RED SILICON SEAL LH/RH	0.72	MT	0.72	2.16	4.32	0.72
89	40C1020	OVEN DOOR HANDLE	1	EA	1	2	4	
96	40C1182	M/STREAM 501 SIDE PANEL LHS	1	EA	1	3	6	
97	40C1183	M/STREAM 501 SIDE PANEL RHS	1	EA	1	3	6	
98	40C1181	MEALSTREAM 501 LID	1	EA	1	3	6	
111	40C1280	MEALSTREAM 501 BACK PANEL (E-CON)	1	EA	1	3	6	
114	PDR0112	SCREW ON FOOT ASSY	4	EA	4	12	24	
116	40C0868	AIR FILTER PANEL - CTM3	2	EA	2	6	12	2
121	40C1113	ROOF CORNER CAP	4	EA	4	12	24	
122	40C1184	M/STREAM 501 FRONT PILLAR LHS	1	EA	1	3	6	
123	40C1185	M/STREAM 501 FRONT PILLAR RHS	1	EA	1	3	6	
Not Shown	105005	M3 CAGE NUT	7	EA	7	21	42	



Merrychef EC504 CTM5 NGO THV2 - 208 Volts 60HZ - CANADA

Recommended Parts List **Production Ceased - Oct 2010**

Recommended Min Stock Holding & Service List

Service Manual Exploded View	Part Number	Description	Qty Per Oven	Unit	1-5 Ovens	5-50 Ovens	50-100 Ovens	Recommended Service List
Not Numbered	11C0303	DOOR FRAME ASSY SUB	1	EA	1	3	6	
Not Shown	11C0320	MAINS LEAD ASSY 3-CORE US (SQUARE HUBBELL PLUG)	1	EA	1	3	6	
Not Numbered	11C0514	CAVITY ASSY NGO (NOT SUPPLIED FOR FIELD REPAIRS)	1	EA	1	3	6	
Not Shown	11C0582	20 WAY RIBBON CABLE ASSY	1	EA	1	3	6	
Not Shown	11Z0298	15 WAY 0.1 RIBBON CABLE ASSY	1	EA	1	3	6	
Not Shown	1922017	ALUMINIUM TAPE 55MTR	1	EA	1	3	6	
Not Shown	2175164	3/32 X 3/4 SPLIT PIN	2	EA	2	6	12	
Not Shown	2243033	SPACER - PCB SUPPORT	5	EA	5	15	30	
Not Shown	2741021	CERAMIC SHAFT	1	EA	1	3	6	
Not Numbered	2747048	MOTOR SPACER BOARD - CAVITY	1	EA	1	3	6	
Not Shown	30Z0283	470R 50W 5% AC (GOLD RESISTOR - MAGNETRON)	1	EA	1	3	6	
Not Numbered	314402	25MM FLEXIBL CONDUIT	0.32	MT	0.32	0.96	1.92	
Not Shown	31Z0186	SILASTIC (BLACK)	1	TUBE	1	3	6	1
Not Shown	31Z0239	FIBEROPTIC CABLE	1.5	MT	1.5	4.5	7	
Not Shown	31Z0587	RIBBON CONNECTOR 10WAY	2	EA	2	6	12	
Not Numbered	31Z0630	CHOCH BLOCK 3 WAY	3	EA	3	9	18	
Not Shown	31Z1275	CONDUIT 20MM FLEXIBL	0.32	MT	0.32	0.96	1.92	
Not Shown	31Z1276	STRAIGHT M20-20mm CONNECTOR	4	EA	4	12	24	
Not Shown	31Z5044	RFI GASKET 25.4MM X 11.51MM	3	EA	3	9	18	
Not Shown	32Z1052	ADJUSTABLE FOOT FOR US	4	EA	4	12	24	
Not Shown	32Z5005	LOCTITE 242 THREADLOCK	1	TUBE	1	3	6	
Not Shown	40C0681	BOTTOM TRIM	1	EA	1	1	2	
Not Shown	40C0682	HEAT INSULATOR	1	EA	1	1	2	
Not Shown	40C1085	TIM HORTONS PRESSED NAME	1	EA	1	3	6	
Not Shown	40C1086	TIM HORTONS OUTER DOOR COVER	1	EA	1	3	6	
Not Shown	40C1087	TIM HORTONS NAMEPLATE BACK	1	EA	1	3	6	
Not Numbered	40C1186	TOP TRIM	1	EA	1	3	6	
Not Shown	40C1217	EC501 - WAVE TRAP (HOT AIR MTR)	1	EA	1	3	6	
Not Shown	40C1250	THV2 TEMPERATURE SENSOR	1	EA	1	3	6	
Not Numbered	40C1291	THV2 CAVITY INSULATION SET	1	EA	1	3	6	
Not Numbered	790006	DOOR FRAME ASSEMBLY - CTM2	1	EA	1	3	6	
Not Shown	790010	PIN - DOOR ARM PIVOT - CTM2	2	EA	2	6	12	
Not Shown	790048	WAVEGUIDE	2	EA	2	6	12	
Not Shown	790049	WAVEGUIDE GASKET	2	EA	2	6	12	
Not Shown	790050	WAVEGUIDE SEALING PLATE	2	EA	2	6	12	
Not Shown	790061	STEAM VENT GUARD	1	EA	1	3	6	
Not Shown	81W7953	CLIP HOSE SIZE 1A	1	EA	1	3	6	
Not Shown	P11C0528	TH V2 M/BRANE ASSY	1	EA	1	3	6	
Not Numbered	P11C0538	RH INTERLOCK ASSY	1	EA	1	3	6	
Not Numbered	P11C0539	THV2 LH INTERLOCK ASSY	1	EA	1	3	6	
Not Numbered	P11C0550	THV2 CONTROL PANEL ASSY	1	EA	1	3	6	
Not Numbered	P790053	RED SILICON SEAL FRONT/REAR	1.2	MT	1.2	3.6	7.2	

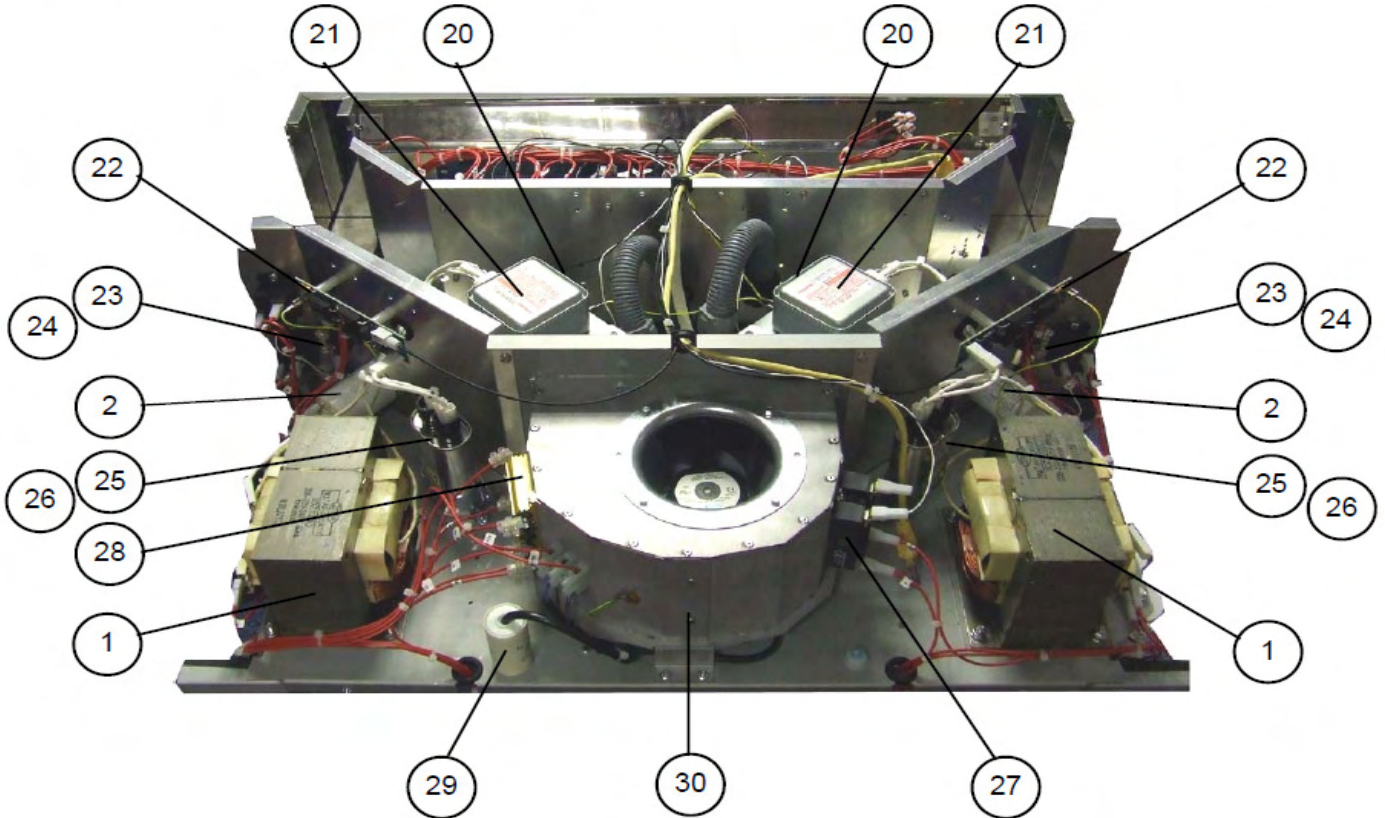
Merrychef EC504 CTM5 NGO THV2 - 208 Volts 60HZ - CANADA

Recommended Parts List **Production Ceased - Oct 2010**

Recommended Min Stock Holding & Service List

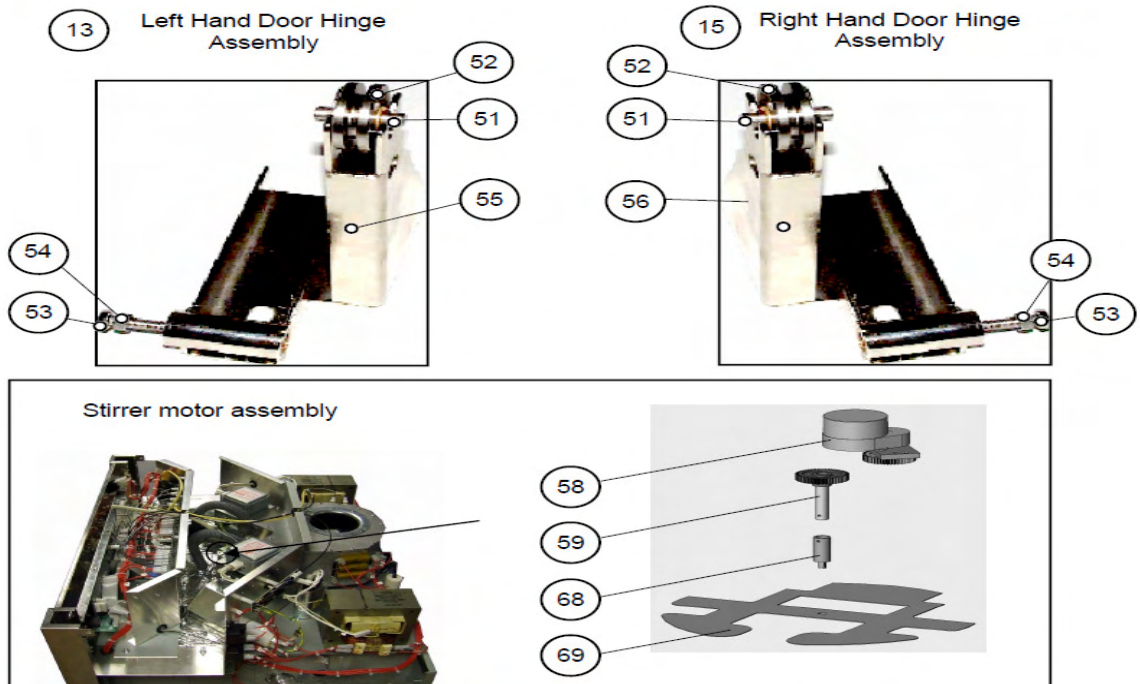
Service Manual Exploded View	Part Number	Description	Qty Per Oven	Unit	1-5 Ovens	5-50 Ovens	50-100 Ovens	Recommended Service List
------------------------------	-------------	-------------	--------------	------	-----------	------------	--------------	--------------------------

PRINCIPAL COMPONENTS



PRINCIPAL COMPONENTS

(not shown in main views)



Merrychef EC504 CTM5 NGO THV2 - 208 Volts 60HZ - CANADA

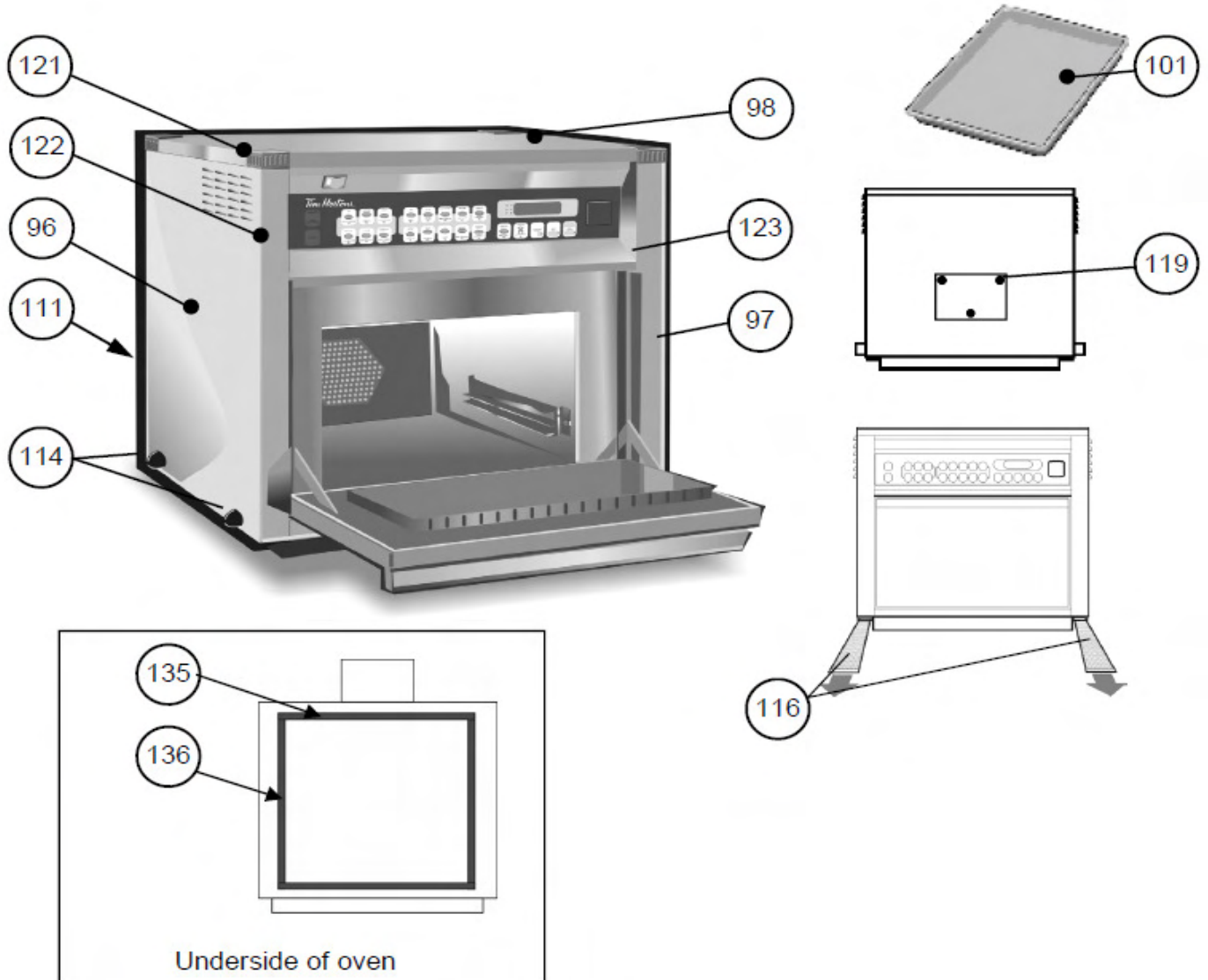
Recommended Parts List **Production Ceased - Oct 2010**

Recommended Min Stock Holding & Service List

Service Manual Exploded View	Part Number	Description	Qty Per Oven	Unit	1-5 Ovens	5-50 Ovens	50-100 Ovens	Recommended Service List
------------------------------	-------------	-------------	--------------	------	-----------	------------	--------------	--------------------------

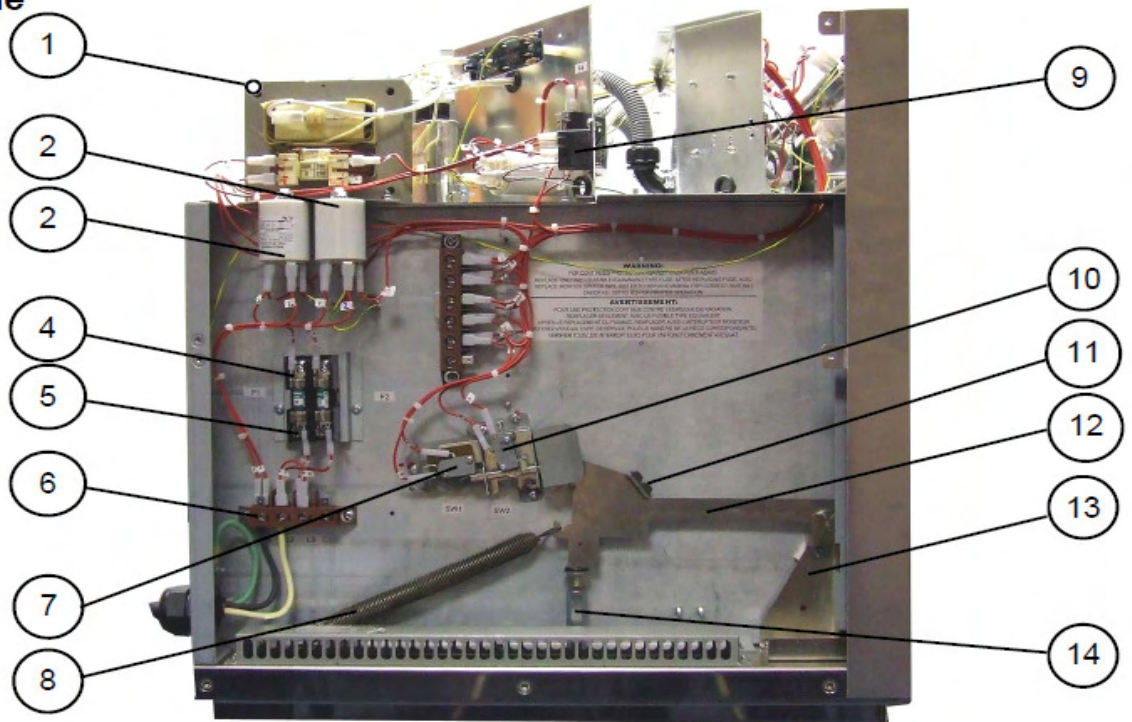
PRINCIPAL COMPONENTS

External Parts and accessories



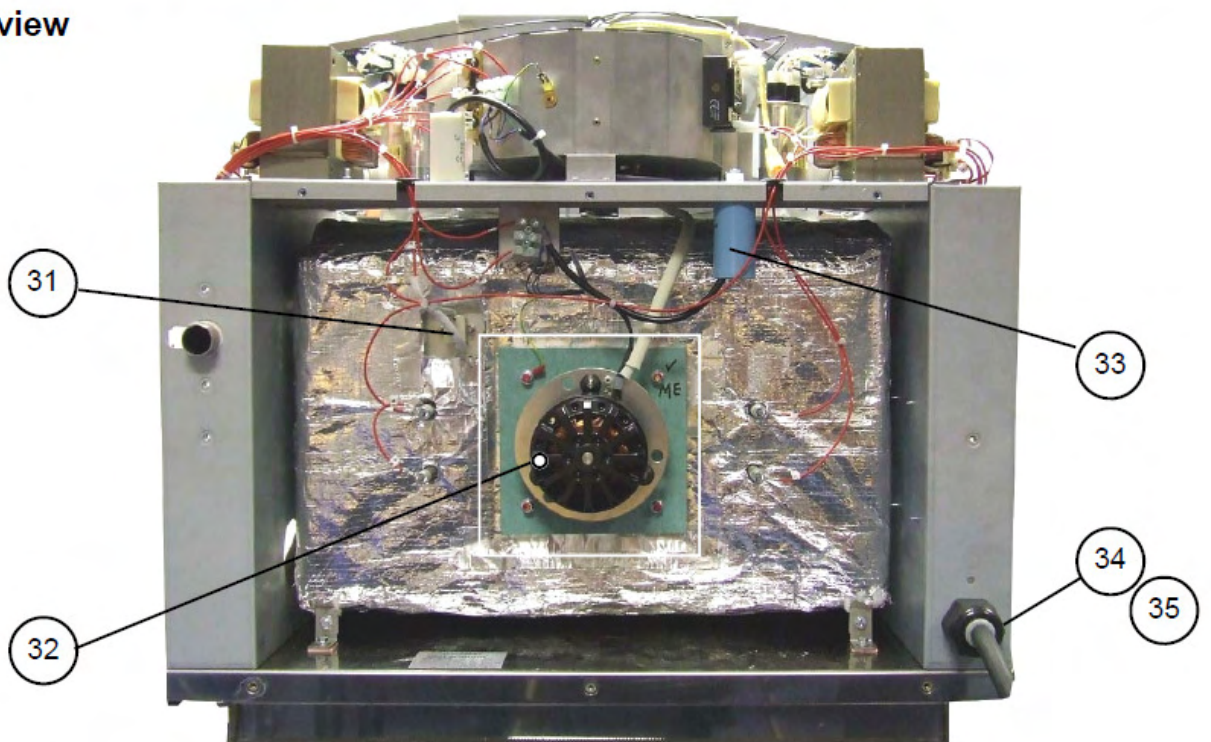
PRINCIPAL COMPONENTS

Left side



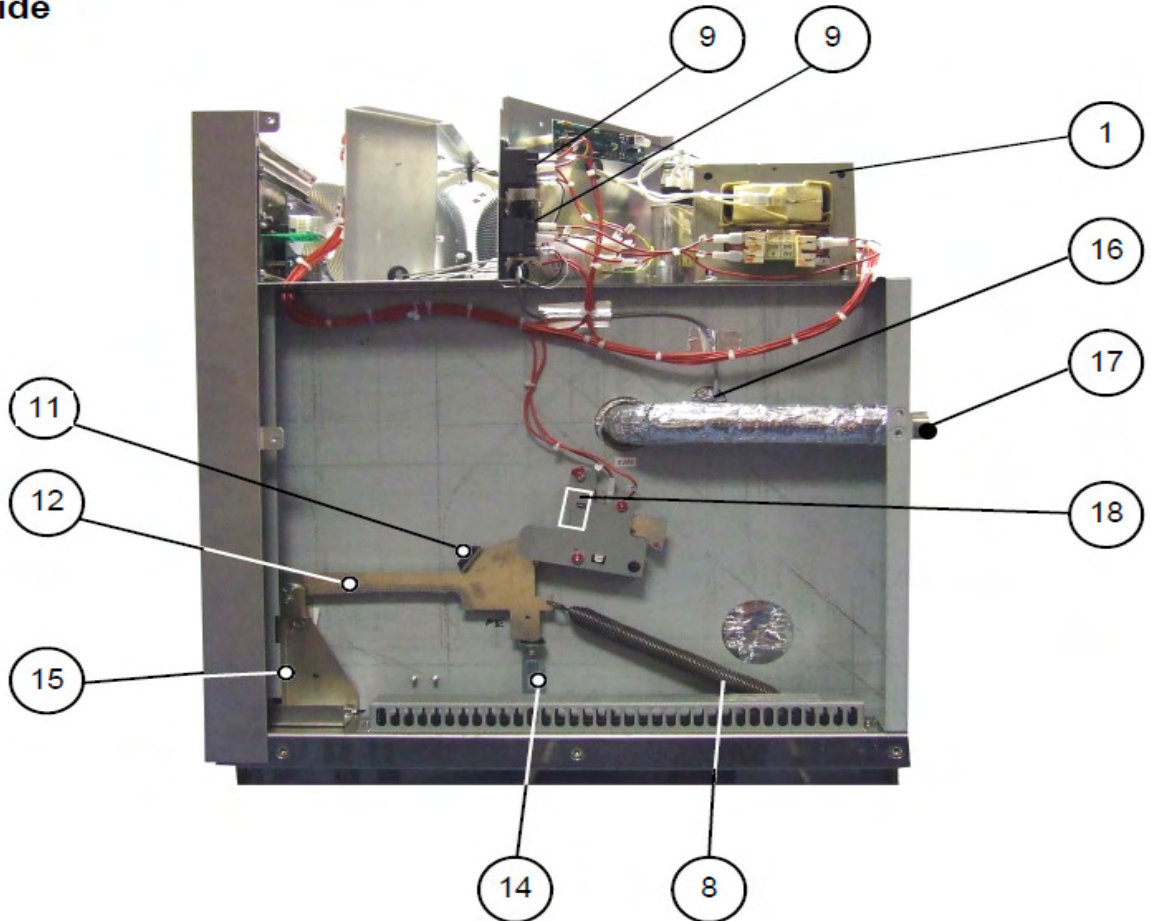
PRINCIPAL COMPONENTS

Back view



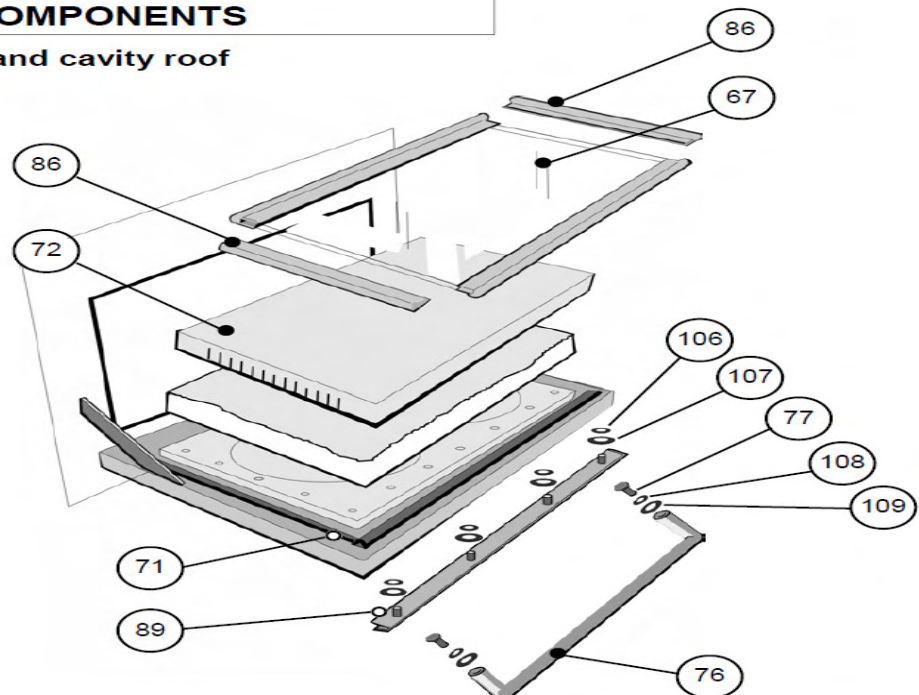
PRINCIPAL COMPONENTS

Right side



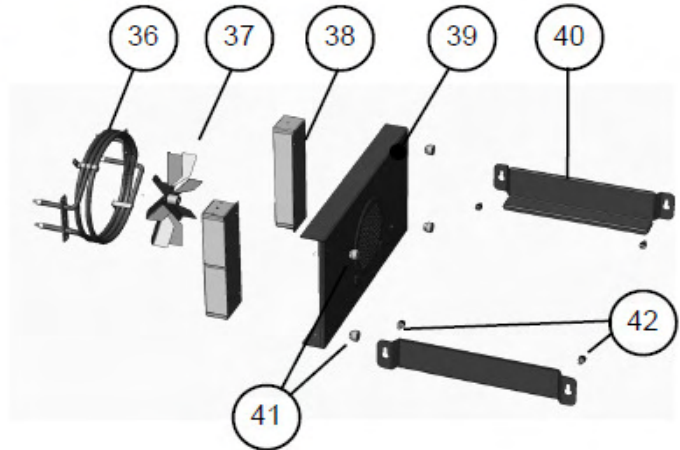
PRINCIPAL COMPONENTS

Door and cavity roof



PRINCIPAL COMPONENTS

Heater Element and Cavity parts



Electronic Control Panel Assembly I

